



CAST Engineered Wall Light (CEWL5CB, CEWL5LED1) Product Information

CAST Engineered Wall Light - Compact, Rugged, and Versatile



Description:

Attractive wall light constructed of solid bronze with a flat copper bracket for easy flush mounting under capstones, between courses of block and under railings. LED version hosts a fully integrated LED source with constant current driver and excellent thermal management. LED board is rated for 60,500 hrs. with minimal lumen degradation and warranty of 5 years. LED board is replaceable.

Features:

- ▶ Solid bronze construction, highly corrosion resistant, naturally weathers to a beautiful patina.
- ▶ Solid copper bracket for quick installation in a variety of locations. Bracket is thin so it does not interfere with retaining wall construction.
- ▶ Bracket extends from back of fixture so it can be hidden from view, allowing seamless flush-mounting, with no visible hardware.
- ▶ Bracket can be bent, removed or cut for specialized applications.
- ▶ Light source housing with internal reflector enclosed with frosted glass lens for a wide, even light distribution (no hot spots).
- ▶ Light source protected from sprinklers and rain.

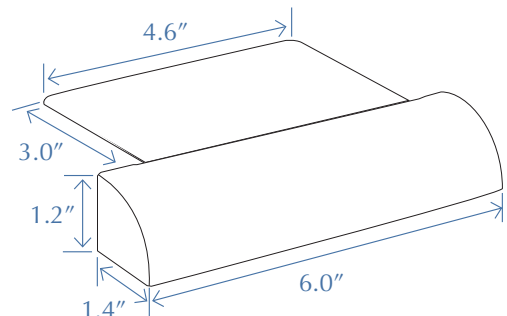
Uses:

Suitable for applications where a wall-mounted or railing-mounted fixture is required. Ideal for retaining walls, stairwells and railings.

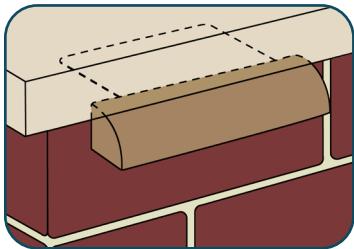
Construction:

Solid bronze body, copper bracket, frosted soda lime lens, stainless steel thumbscrews, high temperature socket, 25' tin-coated #18-2 No-Ox® marine-grade wire.

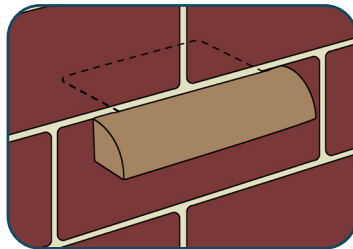
Dimensions:



The CAST Engineered Wall Light installs quickly and securely in a variety of hardscape and architectural applications.



Typical mounting application under capstone.



Typical mounting application between blocks.

Specifications:

CEWL5CB Lamp: Includes 2.5W, 9-15V, T5 LED Lamp (SL921T5200L). Halogen Option: 12V, 10W, T3 xelogen lamp - 18W max. CWB1210X).

CEWL5LED1 LED Version: 2 Cree LED's, 10-24V AC or DC, .24 Amps, 2.5W, .88PF, 2.84VA, 81 CRI, 2704°K Color Temp., L-70: 60,500, 76 Lumens, Center Beam Candela: 38

Listing:

U.L 1838 Listed Low Voltage Luminaire for wet locations.

Accessories:

Set-in-Stone® Wall Light Mounting Module (CSIS)*

Set-inStone® Flexible Conduit (CSISC)

*If Set-in-Stone® Module is not used, do not glue copper bracket under capstone.