



SBML Multi Lumen Spot Light Series

Dial 80Lm, 130Lm, 190Lm, or 250Lm with Field Replaceable Optics



Applications:

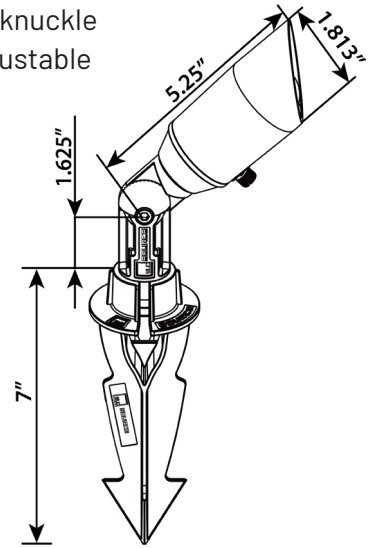
The Source SBML Multi Lumen Spot Light Series allows you to easily switch between four lumen outputs (80, 130, 190 and 250). This spot light also features the convenience of field replaceable optics, so you can quickly change the fixture to 15°, 24°, 36°, 60°, or an 80° wash light right on the jobsite using the optic replacement tool, SBMLTOOL (sold separately or one is provided with a case of six fixtures purchased).

Features:

- ▶ Aged brass fixture with adjustable knuckle
- ▶ Light engine features four field adjustable lumen levels
- ▶ Field changeable optics
- ▶ 5' #18-2 lead wire
- ▶ Includes composite Set-N-Stake with brass insert
- ▶ 4.2 Watt, 12-15 Volts

Models Available:

- ▶ **SBML15 - 15° Narrow Beam**
- ▶ **SBML24 - 24° Medium Beam**
- ▶ **SBML36 - 36° Wide Beam**
- ▶ **SBML60 - 60° X-Wide Beam**
- ▶ **SBMLW - 80° Wash Light**



Source SBML Series: Multi Lumen Spotlight with Field Changeable Optics

Voltage Range 12V - 15V AC/DC Actual Results May Vary + or - 5%						LIGHT OUTPUT LUMENS / BEAM SPREAD						
Finished Good Model #						SBML15	SBML24	SBML36	SBML60	SBML80		
Halogen Equiva- lent	Power Seting	Voltage Input	Current /Amps Input	Consumed Wattage	Power Factor	15°	24°	36°	60°	80° WASH	CCT	CRI
35W	#4, 4.2W	12.0 VAC	0.452 A	3.02	0.784	260 Lm	255 Lm	250 Lm	215 Lm	210 Lm	2800°K	85
30W	#3, 3.0W	12.0 VAC	0.329 A	2.25	0.767	200 Lm	195 Lm	190 Lm	163 Lm	160 Lm	2800°K	85
20W	#2, 2.0W	12.0 VAC	0.216 A	1.5	0.748	138 Lm	135 Lm	130 Lm	130 Lm	128 Lm	2800°K	85
10W	#1, 1.0W	12.0 VAC	0.120 A	0.77	0.722	86 Lm	85 Lm	80 Lm	70 Lm	68 Lm	2800°K	85
Replaceable Optic Part # (Requires #SBMLTOOL, 1 piece included per 6 case.)						SML015	SML024	SML036	SML060	SML080		