

Lighting Specification Sheet

Classic Deck Light (CDL1CB, CDL1LED1, CDL1LED1A)



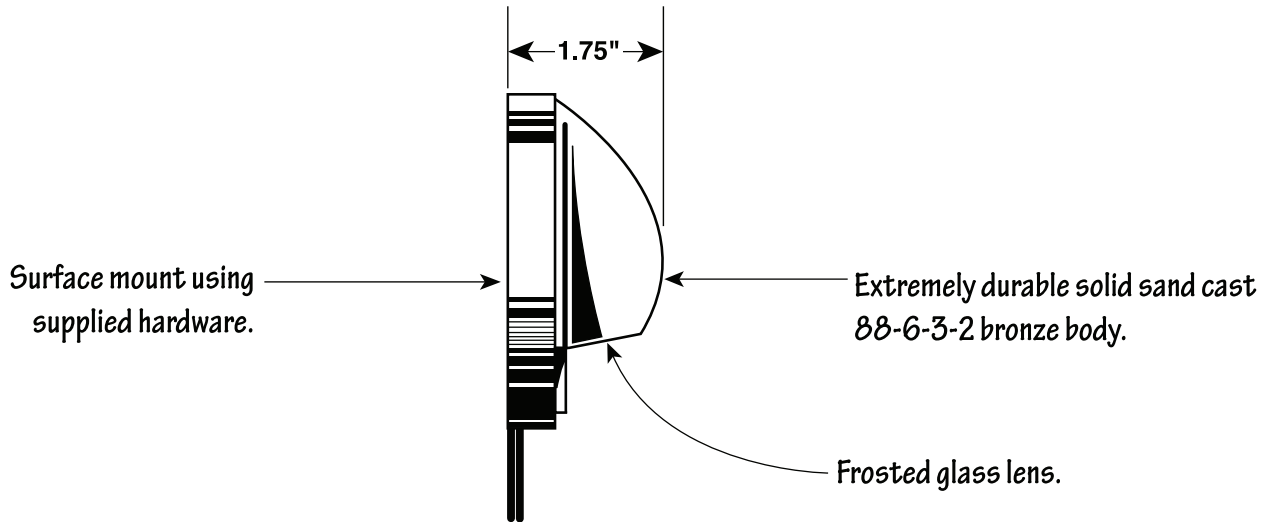
Old world craftsmanship...tomorrow's technology®

Project: _____ Date: _____
Fixture Type: _____ Quantity: _____
Specifier: _____

Drawing not to scale

CDL1CB: Must operate lamp between 9 to 20 volts. Check voltage with digital multi-meter.

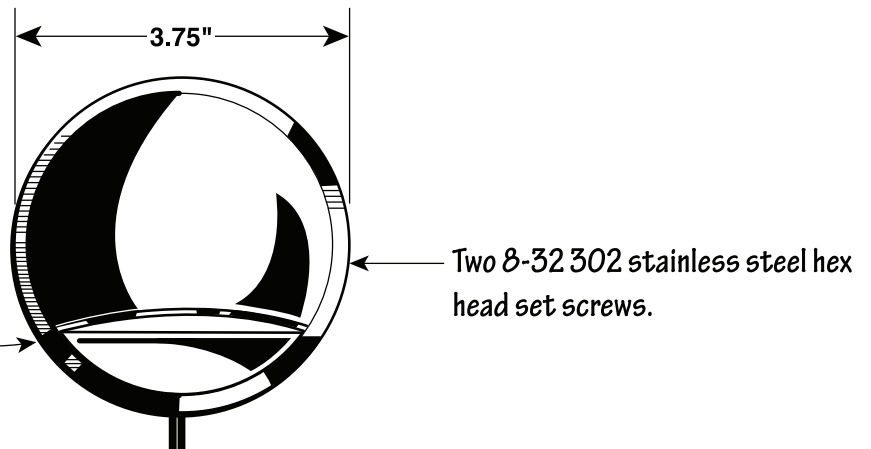
CDL1LED1: Operates between 10V to 24V AC or DC.



CDL1CB:
Includes 2.5W T5 LED Lamp (SL921T5200L)

CDL1LED1:
Input power: 3.0W
Power Factor: 0.8W
(Size wire and power supply for 3.75W)

#18-2 @25' Tin coated



Plan Symbol:

Notes

- CDL1CB Includes 2.5W T5 LED Lamp (SL921T5200L)
- Typical spacing 6' to 10'
- Downward and horizontal orientation allowed
- Refer to product installation sheet prior to installation