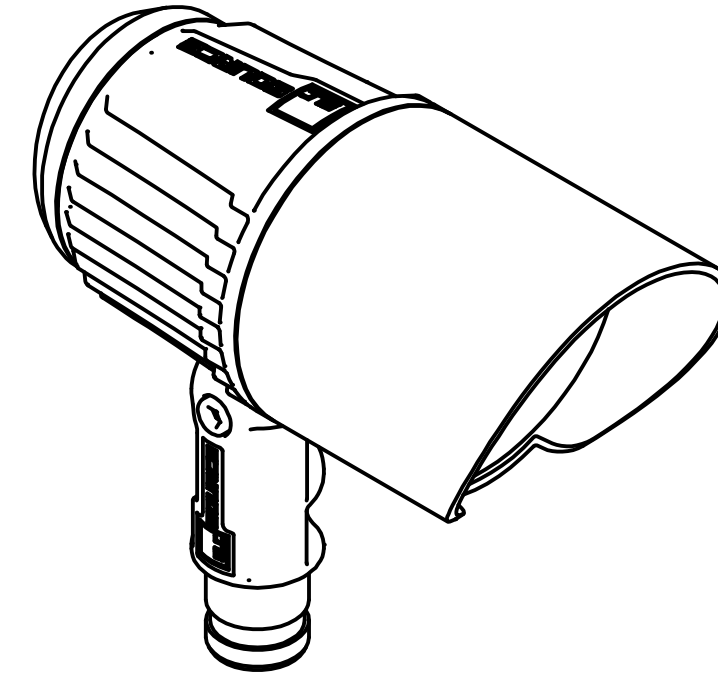
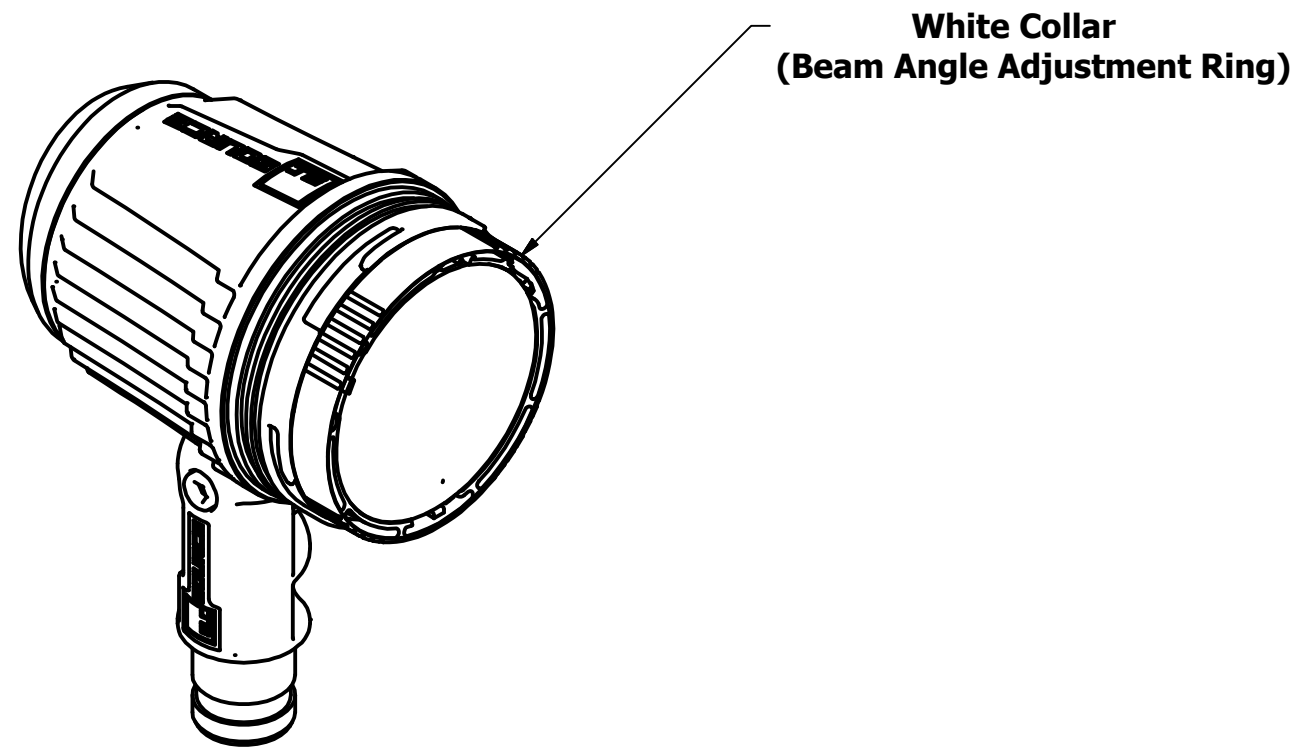


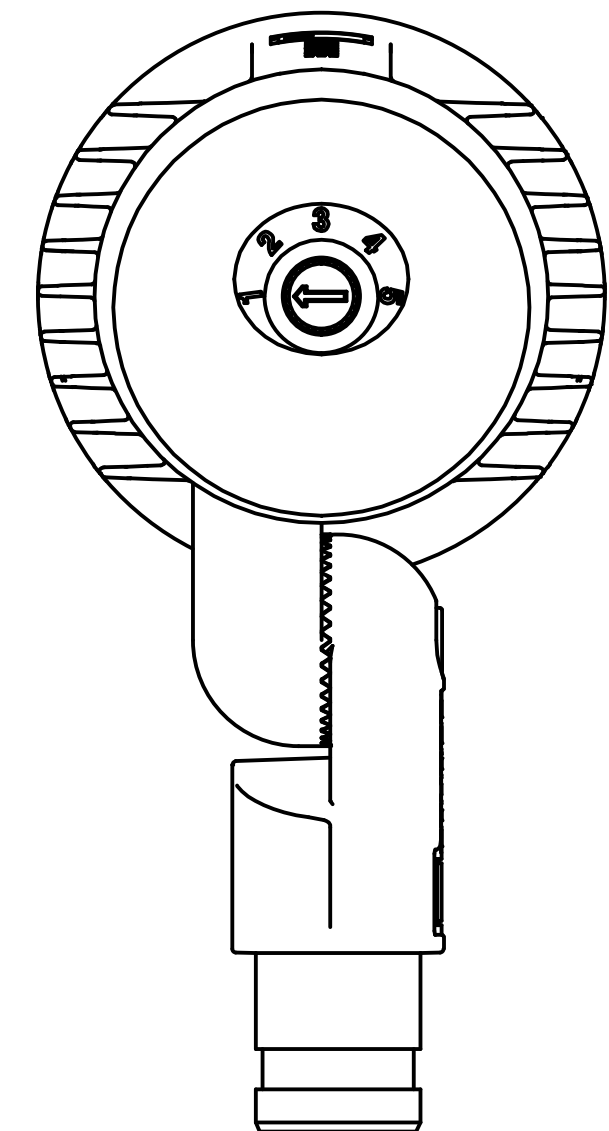
1120-A Goffle Road Hawthorne, New Jersey 07506 www.Cast-Lighting.com 973-423-2303



STEP 6:
Set desired beam angle by turning the white collar & lining up the black arrow with the desired beam angle indicated on body.
Beam angles range from 20° to 60°.

STEP 7:
Reattach the shroud. Line up & perform STEP #5 in reverse.
BE CAREFUL NO TO PINCH THE O-RINGS DURING SHROUD TO BODY REASSEMBLY.

STEP 8:
Using the knob at the back of the fixture simply turn the dial to select the wattage/lumen value you require.



SBLABL1 Fixture Electrical and Photometric Test Results. Voltage Range 12V to 15V AC / DC										
Testing performed LM79 Standard. Actual field performance may vary by + or - 5%										
Power Setting	Voltage Input	Current Input	Consumed Wattage	Power Factor	Volt / Amp	Light Output at 20° Beam Angle	Light Output at 40° Beam Angle	Light Output at 60° Beam Angle	CCT	CRI
#5, 17 Watts	12.0 VAC	1.800 A	16.73	0.775	21.6	1,080 lm	1,070 lm	894 lm	2800°K	85
#4, 13 Watts	12.0 VAC	1.465 A	13.43	0.757	17.7	917 lm	901 lm	757 lm	2800°K	85
#3, 10 Watts	12.0 VAC	1.122 A	9.9	0.734	13.5	711 lm	697 lm	586 lm	2800°K	85
#2, 7 Watts	12.0 VAC	0.785 A	6.68	0.71	9.4	494 lm	480 lm	404 lm	2800°K	85
#1, 4 Watts	12.0 VAC	0.463 A	3.65	0.652	5.6	245 lm	242 lm	208 lm	2800°K	85