

Lighting Specification Sheet

Classic Savannah Deck Light (CDL2CB)

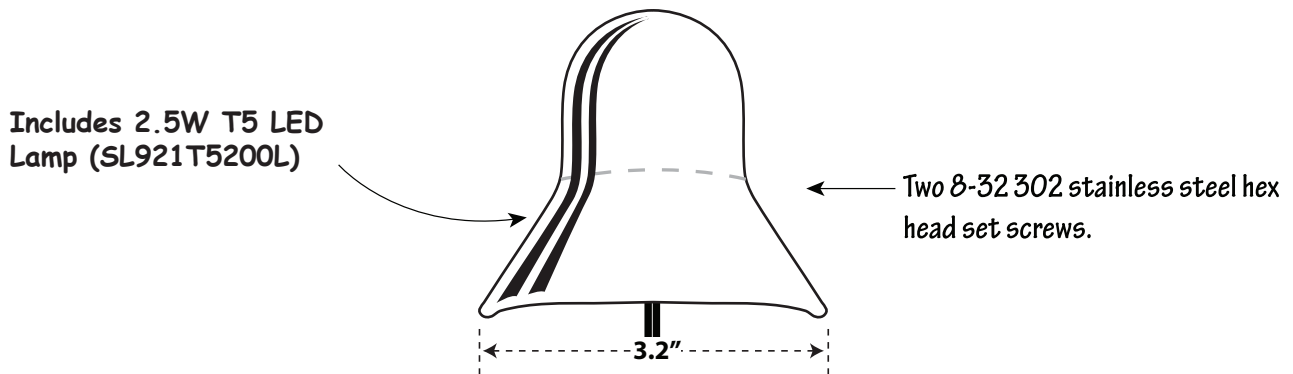
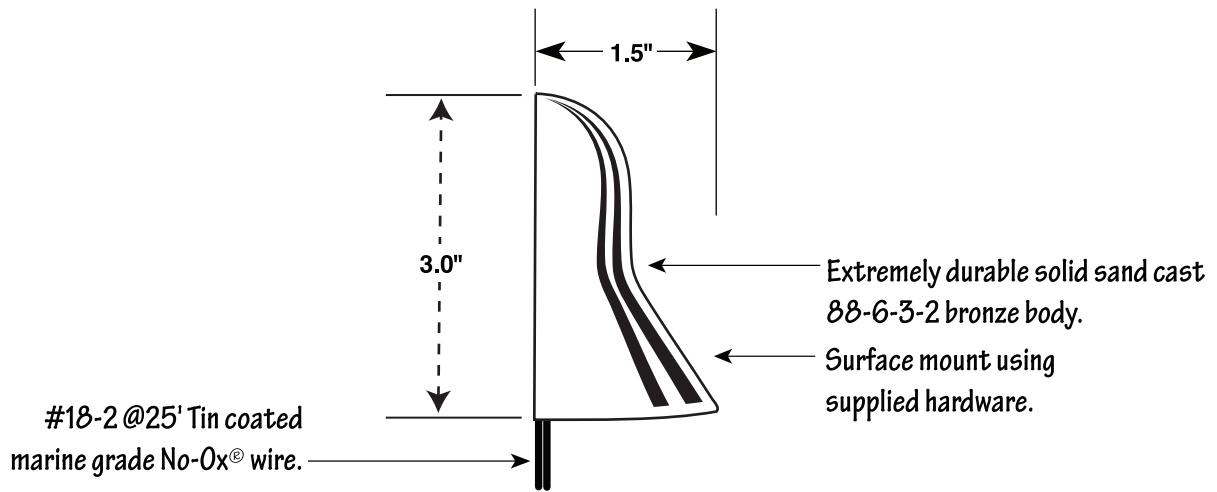


Old world craftsmanship...tomorrow's technology®

Project: _____ Date: _____
Fixture Type: _____ Quantity: _____
Specifier: _____

Drawing not to scale

Must operate lamp between 9 to 20 volts. Check voltage with digital multi-meter.



Notes

- Includes 2.5W T5 LED Lamp (SL921T5200L)
- Typical spacing 6' to 10'
- Downward orientation only

- Refer to product installation sheet prior to installation

Plan Symbol:

