

# Lighting Specification Sheet

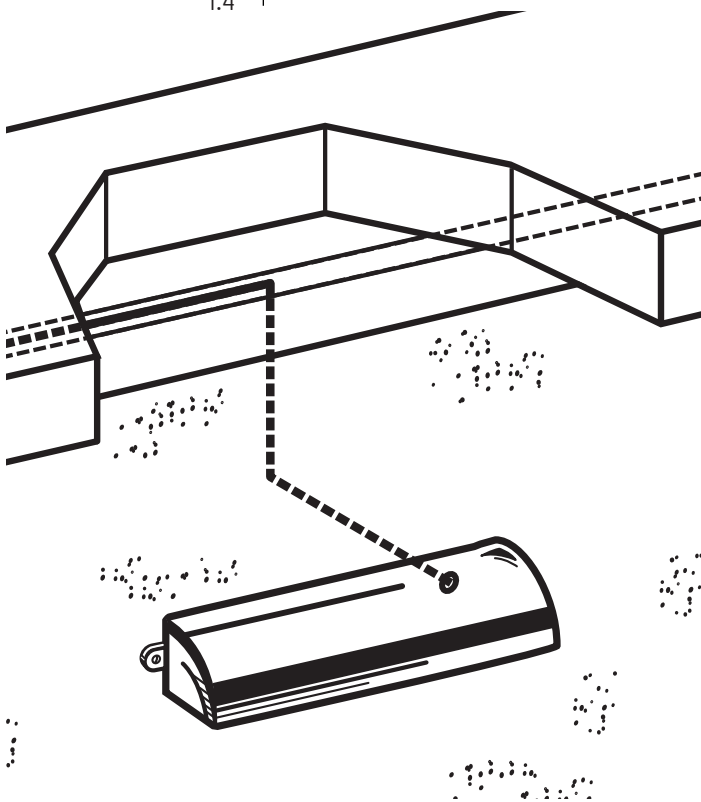
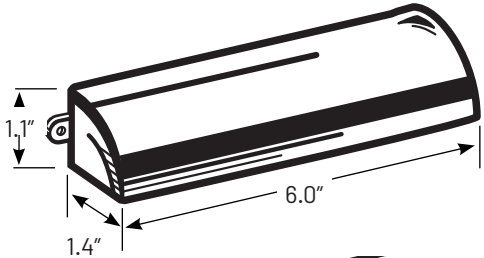
Classic Engineered Wall Light - Surface Mount  
(CEWL6CB/CEWL6LED1)



Old world craftsmanship...tomorrow's technology®

Project: \_\_\_\_\_ Date: \_\_\_\_\_  
Fixture Type: \_\_\_\_\_ Quantity: \_\_\_\_\_  
Specifier: \_\_\_\_\_

Drawing not to scale



- ▶ Light source: CEWL6CB - T-3 wedge-base 10W xelogen lamp (included), 18W max; CEWL6LED1 - Replaceable LED board; 3W, 2,700K
- ▶ Optimal voltage: CEWL6CB - 10.8 to 11.3 volts; CEWL6LED1 - 10.0 to 24.0 volts
- ▶ Extremely durable solid sand-cast bronze body and 100% copper bracket.
- ▶ Frosted Soda Lime Glass enclosed lamp compartment.
- ▶ Internal reflector for optimal light distribution.
- ▶ Lamp replacement: CEWL6CB - Lamp socket swivels outward for easy lamp replacement; CEWL6LED1 - LED board easily removed and replaced.
- ▶ Thermal management: CEWL6CB - High temperature corrosion-resistant socket; CEWL6LED1 - LED board is bonded to solid bronze body for optimal thermal transfer.
- ▶ Pre-wired with 25 ft. #18/2 tin-coated, marine-grade No-Ox wire.

### INSTALLATION

- ▶ Surface-mount installation - Cut channel along top center of blocks, drill vertical hole from channel, drill horizontal hole to intersect vertical hole, run wire from fixture through channels to exit wall.
- ▶ Alternate method - drill hole directly behind fixture to exit wall on the other side.

### Notes

- Typical spacing 4' to 8'
- Refer to product installation sheet prior to installation

Plan Symbol: