

FIG. A

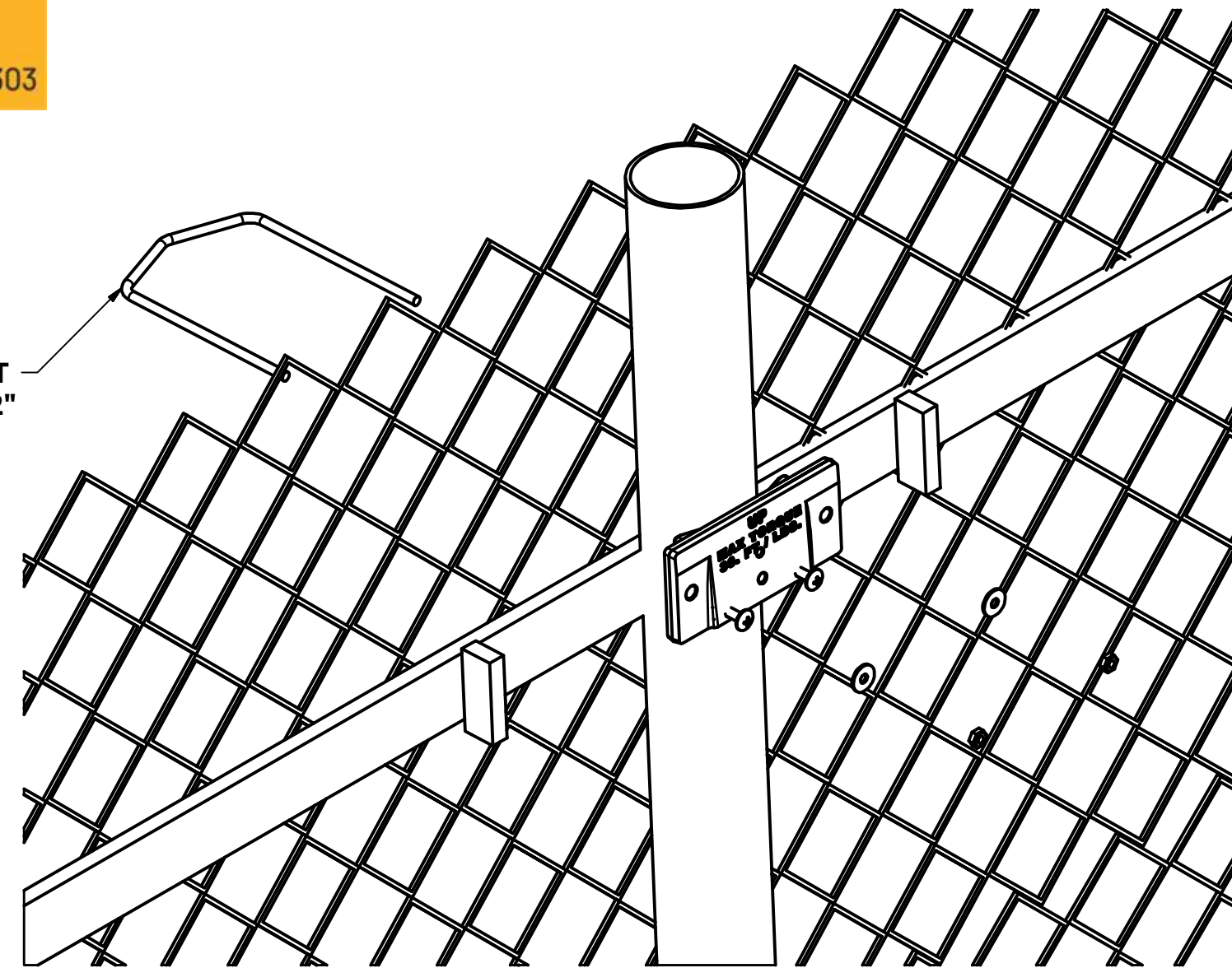


FIG. B

STEP #2.
ATTACH EACH "V-BRACKET" TO FENCE POST USING THE HARDWARE (PROVIDED) AS SHOWN ON FIG. B.

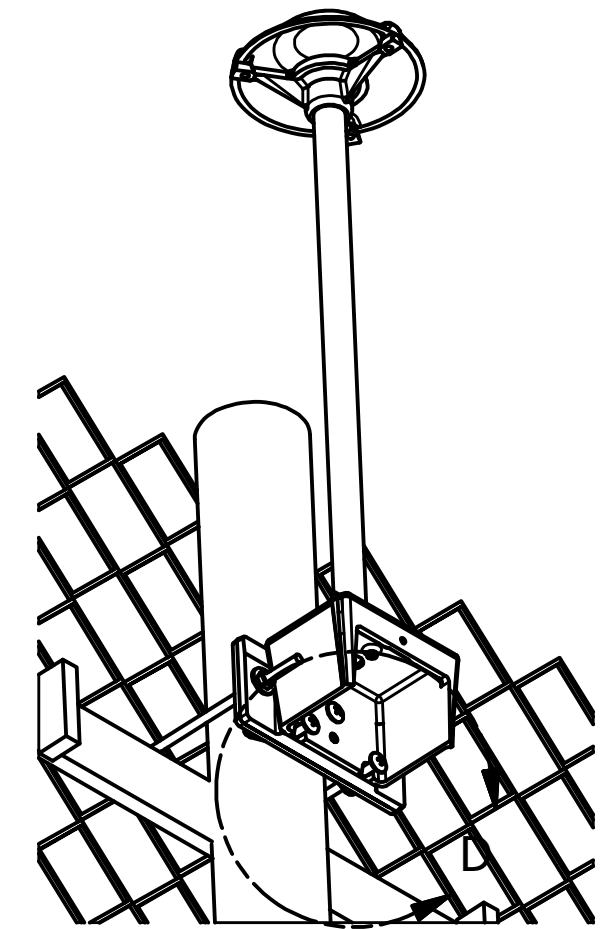
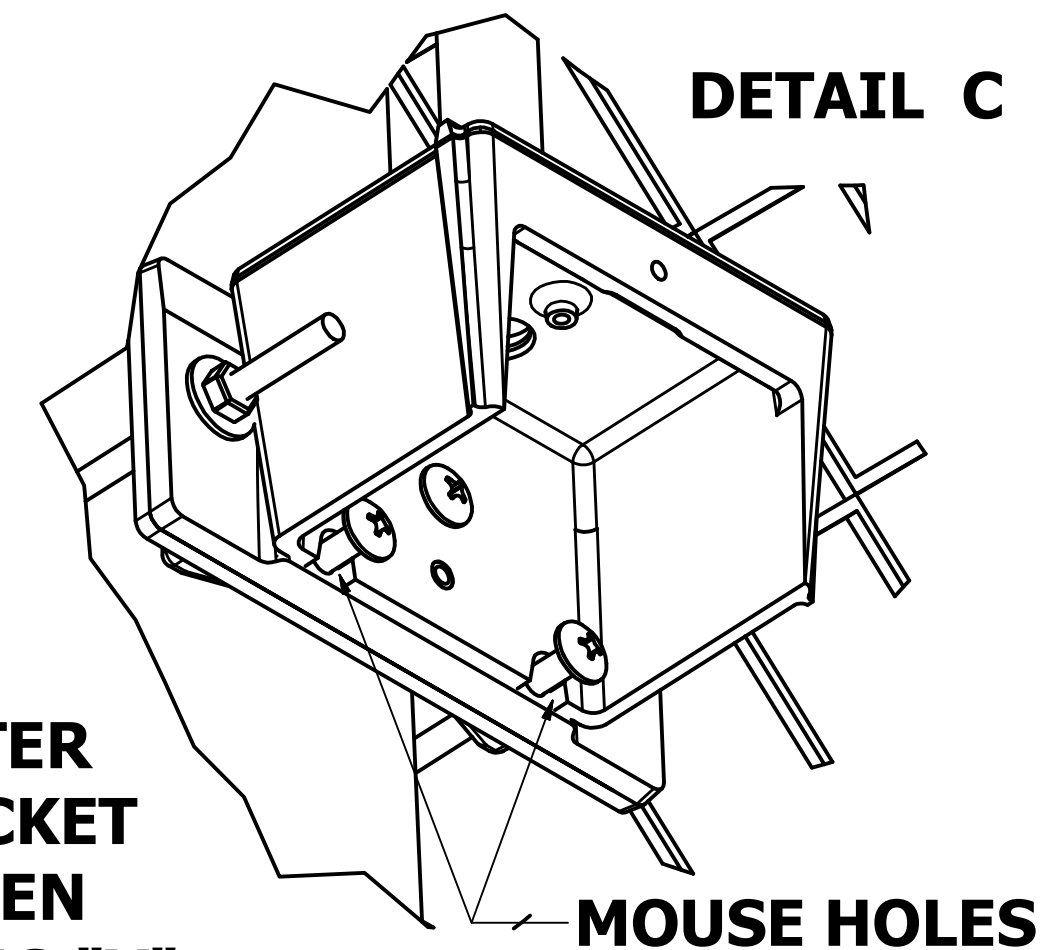


FIG. C



PLEASE NOTE:
WHEN INSTALLING "U" BRACKET ON SMALL DIAMETER FENCE POSTS THE THREADED PORTION OF "U" BRACKET WILL HIT THE FRONT COVER PLATE OF FIXTURE WHEN MOUNTING TO THE "V" BRACKET. AFTER TIGHTENING "V" BRACKET TO POST USE HACKSAW TO CUT EXCESS THREAD FROM "U" BRACKET BEFORE MOUNING FIXTURE.

TOOLS NEEDED:
-1/2" WRENCH (NOT INCLUDED)
-PHILLIP SCREW DRIVER (NOT INCLUDED)
-FLAT HEAD SCREW DRIVER (NOT INCLUDED)

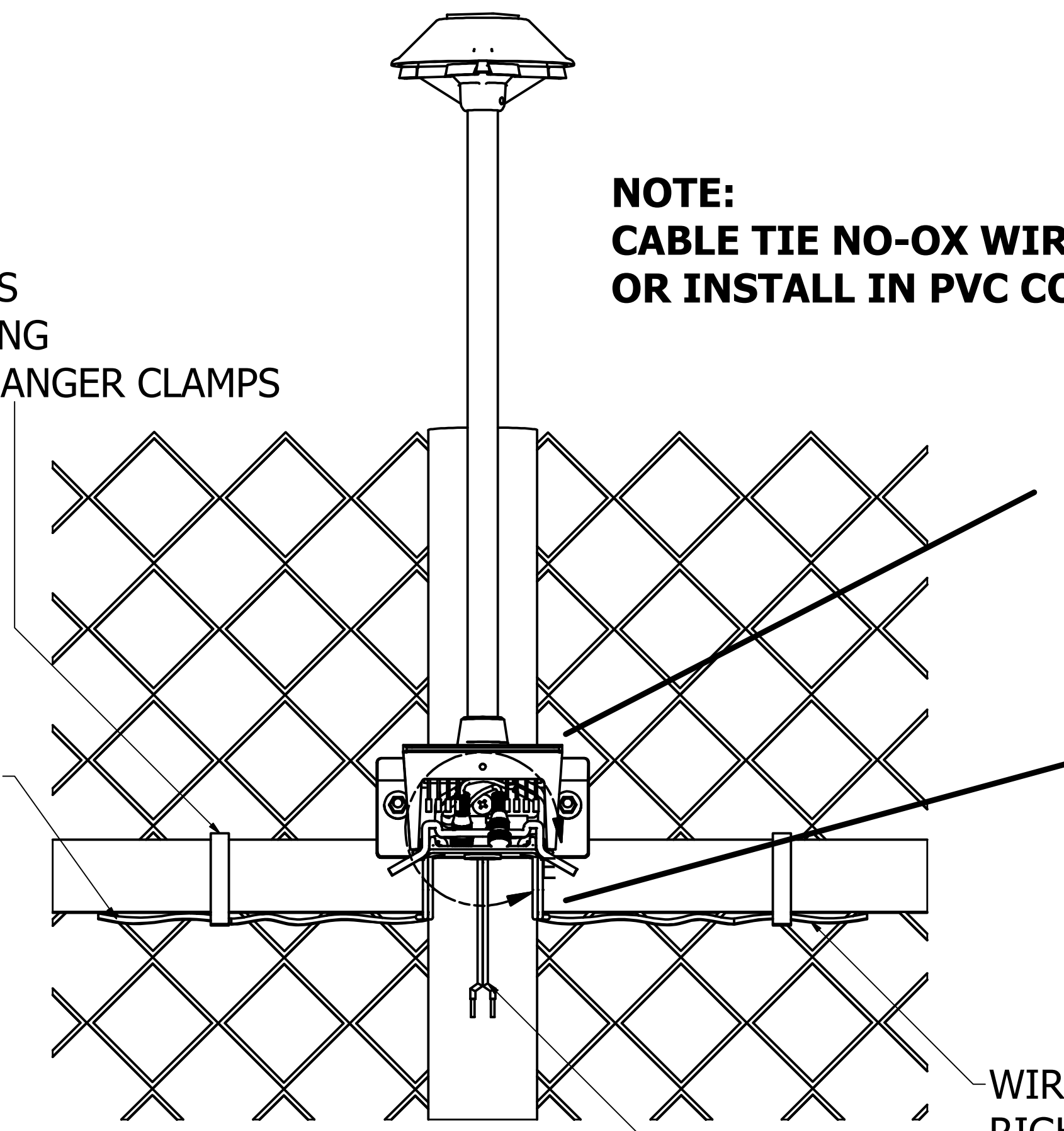
STEP #1.
REMOVE "V-BRACKET", FRONT COVER & BOTTOM PLATE FROM FIXTURE.

STEP #3.
INSERT SCREWS IN TWO LOWER MOUSE HOLES. REST FIXTURE ON SCREWS AND INSERT TOP SCREW, LEVEL & TIGHTEN ALL THREE SCREWS.

NOTE:
CABLE TIE NO-OX WIRE TO FENCE POST USING UV RESISTANT CABLE TIES
OR INSTALL IN PVC CONDUIT FIXTURE PROVIDED WITH 1/2" KNOCK-OUT IN BASE.

INSTALL WIRES
 INSIDE EXISTING
 FENCE WIRE HANGER CLAMPS

WIRE TO
 LEFT FIXTURE



DETAIL D

WIRES NEST IN SLOT BETWEEN
 BOTTOM PLATE AND INSIDE WALL
 OF JUNCTION BOX.

WIRE TO
 RIGHT FIXTURE

HOME RUN WIRE (TO TRANSFORMER)

FIG. D

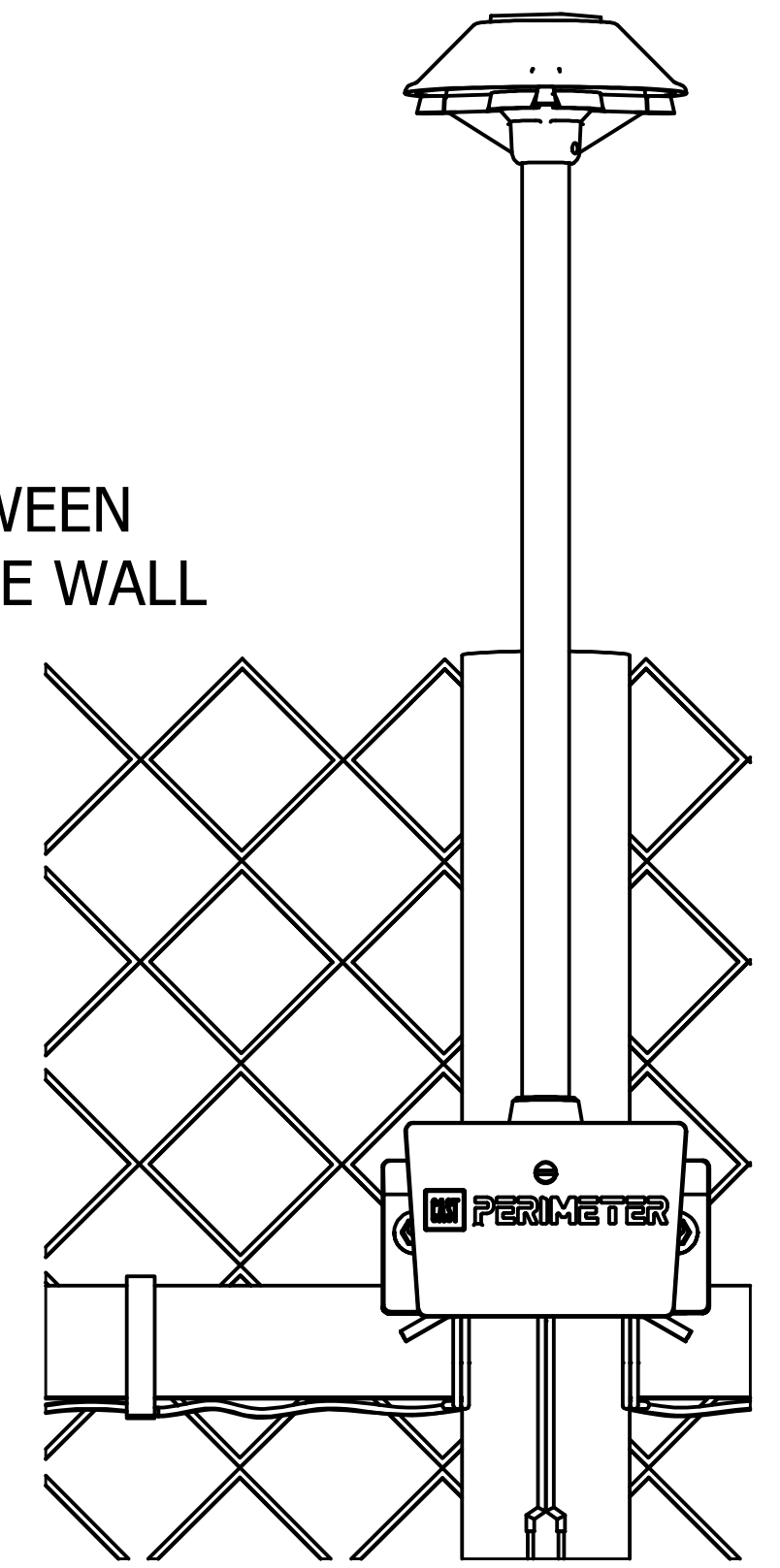


FIG. E

STEP #4.
INSTALL ALL FIXTURES AS REQUIRED ON FENCE LINE OR AS NEEDED ON SITE.
ONCE FIXTURES ARE SECURED IN PLACE INSTALL BOTTOM COVER
& MAKE ALL CONNECTIONS INSIDE USING
THE "WIRE CONNECTORS" (SUPPLIED WITH EACH FIXTURE) & FOLLOW WIRE
CONNECTION INSTRUCTIONS AS PROVIDED WITH CONNECTORS.
INSTALL FRONT COVER AS SHOWN ON FIG. E.