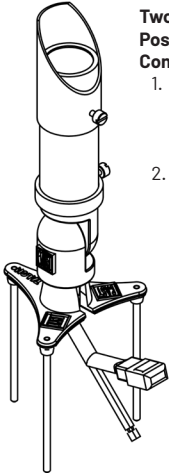


Applies to
CID140, CIDA140, & CIT164

Directional Light (CID140)

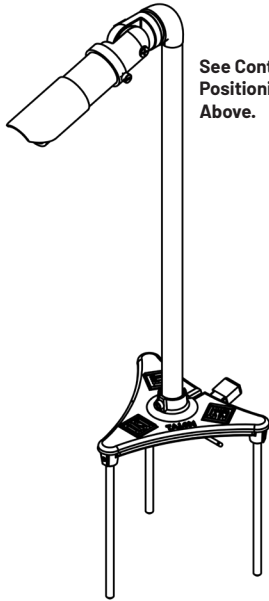


Two Wiring Options for Positioning Control Plug:

1. Lay lead wire in trench then bring plug to surface next to stake.
2. Extend lead wire and plug to junction box location.

Bury Lead Wire Min. 6" Depth

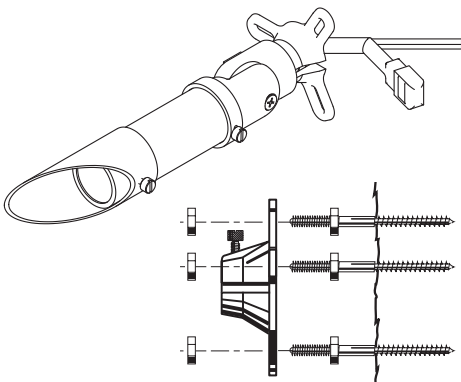
Directional Area Light (CIDA140)



See Control Plug Positioning Options Above.

Bury Lead Wire Min. 6" Depth

Tree Light (CIT164)



SAVE THESE IMPORTANT SAFETY INSTRUCTIONS

Impressionist® Series LED Directional Lights (CID140, CIDA140, & CIT164)

MOUNTING

OUTDOOR USE ONLY!

1. Large Talon Stake Mounting Instructions.

CAST Impressionist LED Directional Area Light (CIDA140) includes (1) Large Talon Stake (CTSL1).

- To assemble stake, insert flat end of each spike into stake body receptacles. Secure set screws with 3/32" hex bit.
- Prepare turf or bed area by removing plant material or mulch to attain a firm soil surface of about 6" diameter. Tamp down soil and test with bubble level to ensure surface is level. If desired (for aesthetic reasons), Talon Stake body can be set 1" below grade then covered with soil or mulch.
- Position stake so wire opening faces wire trench.
- Drive stake into ground prior to attaching fixture. Use rubber or dead blow mallet to drive talon into ground. Strike directly above each spike in turn, driving stake into ground in steady increments to ensure pins enter vertically. Continue striking until body is firmly seated in soil.
- Extend narrow trench to directly beneath center of stake. Insert fixture lead wire through wire opening. Insert fixture stem into stake receptacle. Secure thumb screw. Back-fill wire trench and, if needed, cover stake with soil or mulch.

2. Small Talon Stake Mounting Instructions.

CAST Impressionist LED Directional Light (CID140) includes (1) Small Talon Stake (CTSS1).

- To assemble stake, screw spikes into stake body. Tighten securely with vise grip.
- Follow instructions for Large Talon Stake, except prepare a smaller soil surface area for seating the stake.

3. Tree Mounting Instructions.

CAST Impressionist LED Tree Light (CIT164) includes Tree Mounting Hardware (CTREEH1).

- EXERCISE EXTREME CAUTION WHEN WORKING IN ABOVE-GRADE ENVIRONMENTS.
- Attach Tree Mounting Bracket to tree prior to attaching fixture. Holding bracket in place with wire opening facing down, mark screw hole locations. Put bracket aside. Using deep 3/8" drive socket and drill, drive screws into tree until 1/4" thread is exposed.
- Place bracket over screws and secure provided nuts.
- Insert wire through opening and fixture into bracket. Secure thumb screw.
- Run wire down tree and secure with cable ties attached with stainless steel screws or screw eyes. DO NOT USE "U" STAPLES TO SECURE WIRE TO TREE.

1. OPTICS REPLACEMENT INSTRUCTIONS.

CAST Impressionist LED Directional (CID140) and Directional Area Lights (CIDA140) come with 40° optics. CAST Impressionist LED Tree Light (CIT164) comes with 64° optics.

- DO NOT CHANGE OPTICS IN RAIN, MIST, OR FOG as this may lead to excessive moisture inside the fixture. Only perform in a relatively dry environment. Changing the optics in rain, mist, or fog may void the warranty.

LUMINAIRE ADJUSTMENTS

Electrical Requirements

Input Voltage:

10-24V AC/DC

Power Supply*:

Must use a toroidal magnetic transformer to supply low voltage power (such as CAST Journeyman, Master, and Perimeter Series).

Wire:

For maximum system longevity, use tin-coated marine-grade wire (such as CAST No-0x® Wire).

Connectors:

For connecting single or multiple wires, use robust waterproof connectors and junctions *Use of approved power supply activates extended warranty.

- PREVENT DUST AND OTHER FINE PARTICULATES FROM ENTERING LED COMPARTMENT as this may diminish optical performance.
- DO NOT TOUCH THE LED CHIP OR OPTICAL SURFACES - use a fine brush or compressed air to remove dust from surfaces. Evidence of physical damage to LED chip or optical elements voids the warranty.
- To remove optics, loosen shroud thumbscrew. Remove shroud. Grasp black optical module and pull away from fixture (do not turn module).
- To replace optics, grasp new optical module. Look at the underside of the module to check location of two pin holes. Align pin holes with pins on LED board and push in place. Replace shroud and secure thumb screw.

2. LIGHT LEVEL ADJUSTMENT INSTRUCTIONS.

All CAST Impressionist Series fixtures have built-in light level control. This can be activated in two ways - using the provided Manual Dimmer Control Jumper Cable or with the CAST Impressionist Dimmer Control (CDIMMER). Both of these devices plug into the Fixture Control Plug located on the fixture lead wire.

- **Manual Dimmer Control Jumper Cable (CIJ).** Plugging this device into the fixture wire Control Plug will activate the dimming (up or down) sequence. Each time the device is plugged in (while fixture is powered) the dimming cycle reverses. As long as the device is plugged in, the fixture will dim up or down until the maximum (100%) or minimum (5%) is reached. If the plug is left in place for 15 sec. after either of these limits are reached, then the fixture resets to 100%. When the device is unplugged, the fixture retains the specific light level even when not powered.

- **CAST Impressionist Dimmer Control (CDIMMER).** Connect CDIMMER plug to fixture wire Control Plug. Switch unit "ON". Depress and hold "DIM" button to dim light up or down. Each time button is depressed, dimming direction reverses. To bring fixture to 100%, depress and hold button for 15 sec. Store unit in cool dry place. Change batteries yearly.

3. FILTER INSTALLATION INSTRUCTIONS

- Filters can be added to all CAST LED Directional Lights. Only one filter can be added at a time - 1.46" diameter by 1.1 mm thickness (such as CAST Impressionist Dichroic Color and Diffusion Filters).
- Loosen shroud thumb screw. Remove shroud. Place filter on top of optic module. Replace shroud.
- **WARNING - Risk of Electric Shock. Install all luminaires less than 10 ft. (3.05 m) or more from a pool, spa, or fountain.**
- Follow NEC guidelines for outdoor low voltage wiring.
- Obey all local electrical codes and requirements.
- Use only 25A/circuit 12-volt power supply.
- A luminaire shall not use tungsten halogen lamps unless the luminaire is marked for such lamps.
- The luminaire's low voltage cable shall:

Changeable Optic Part #'s	
CID1 Series	
Degree	Part #
13°	CID013
24°	CID024
40°	CID040
64°	CID064
15° x 30°	CID015x39



SAFETY INSTRUCTIONS



- be protected by routing in close proximity to the luminaire or fitting, or next to a building structure such as a house or deck;
- not be buried except for a maximum 6 inches (15.2 cm) in order to connect to the main low voltage cable.; and,
- have the length cut off so that it is connected to a connector within 6 inches (15.2 cm) (from a building structure, a luminaire, or fitting).

- Contact only switch or plug when turning system on or off at transformer.
- Do not look directly into a lighted lamp.
- Do not operate the lighting fixture if damaged.
- Do not mount stake mounted fixtures in tree application. Use Tree-Mount fixture only!!
- Unplug transformer while installing and connecting luminaires.
- Main low voltage cable is intended for shallow burial - less than 6" (152 mm) - unless the manufacturer has provided wiring suitable for direct burial.