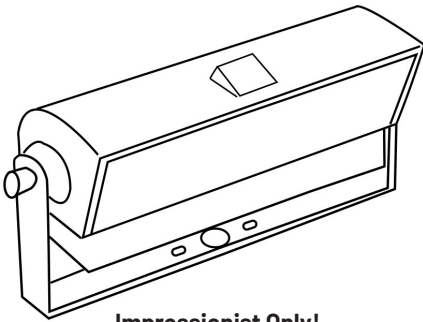


Applies to CIWL6

Wall Wash (CIWL6)



Impressionist Only!

Control Plug Assembly

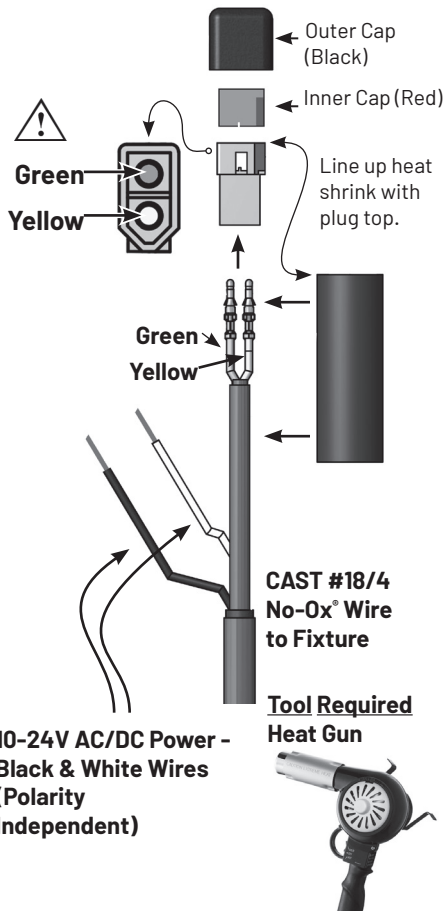
After passing wire through bracket or mounting kit:

1. Firmly insert green and yellow pins into plug - yellow pin must insert into pointed end of plug.



2. Slip heat shrink tube over plug until end is lined up with top of plug.
3. For best results, use 120V **heat gun** (not torch - can damage connection) to shrink tube on all sides until tight.

4. Insert Inner Cap into plug.
5. Place Outer Cap over Inner Cap.



SAVE THESE IMPORTANT SAFETY INSTRUCTIONS

Impressionist® Series LED Wall Wash Light (CIWL6) & Classic Series Mini Wash (CWL6LED1)

MOUNTING

OUTDOOR USE ONLY!

Important. For CIWL6 Only: The lead wire for this fixture comes with Control Plug detached. This allows the installer to pass wire through bracket and/or mounting options such as Stake Mount (CWL8KIT) and Stake/Stem Mount (CWL9KIT). After fixture is assembled with the selected mounting kit, installer attaches Control Plug Assembly. Do not operate fixture with plug detached.

1. Bracket Mounting Instructions. (CIWL6 & CWL6LED1)

CAST Impressionist LED Wall Wash Light (CIWL6) includes copper mounting bracket. Bracket can be used to mount fixture on any surface.

- Use provided (2) stainless steel flat Philips-head wood screws to secure bracket to surface. If fixture lead wire interferes with flush-mounting then push bracket's anti-chafing plug back towards fixture to release wire. Pull wire through bracket.
- Position fixture to ensure proper aiming. Mark screw hole locations with marker.
- Disconnect bracket from fixture by removing (2) thumb screws. Screw bracket onto surface. Re-attach bracket to fixture. Tighten thumb screws.

2. Canopy Mounting Instructions. (CIWL6 & CWL6LED1)

Use Wall Wash Canopy Mounting Kit (CWL7KIT) (purchased separately) for mounting fixture to any surface to provide an offset of about 6" from surface to fixture body.

- Before attaching mounting kit to Wall Wash bracket, insert end of fixture lead wire into kit stem and feed through to exit kit bottom. Pull wire completely through until it stops.
- Disconnect bracket from fixture by removing (2) thumb screws. Using provided kit screws, secure kit flange to fixture bracket. Re-attach bracket to fixture. Tighten thumb screws.
- Secure canopy to surface using provided screws.

3. Stake Mounting Instructions. (CIWL6 & CWL6LED1)

Use Wall Wash Stake Mounting Kit (CWL8KIT - short stem; CWL9KIT - long stem; CWL9EXKIT - extendable stem) (purchased separately) for mounting in turf or mulch bed regions.

- **For all mounting kits, follow first three steps in Canopy Mounting instructions (above).**

3a. CWL8KIT Instructions: This kit comes with short stem and stake. Stake must be installed in firm solid ground with top flange of stake level with ground. If ground is not firm, then dig hole and backfill with mixture of pea gravel and soil.

- Stake can be removed from fixture so it can be driven into ground with rubber or dead blow mallet. If stake is not removed, do not put pressure on fixture body when inserting into ground (as this may bend the bracket).

3b. CWL9KIT & CWL9EXKIT Instructions: The CWL9KIT kit comes with a long stem and Large Talon Stake. The CWL9EXKIT comes with a long extendable stem and Large Talon Stake. For both kits, follow Large Talon Stake instructions (next page).

Electrical Requirements

Input Voltage:

10-24V AC/DC

Power Supply*:

Must use a toroidal magnetic transformer to supply low voltage power (such as CAST Journeyman, Master, and Perimeter Series).

Wire:

For maximum system longevity, use tin-coated marine-grade wire (such as CAST No-Ox® Wire).

Connectors:

For connecting single or multiple wires, use robust waterproof connectors and junctions (such as CAST Spider Splice Junction Box and CAST Butt Crimp Connectors).

*Use of approved power supply activates extended warranty.

Electrical Consumption:

Wattage: 8.3 W

Power Factor: 8.7

Volt-Amps: 9.5 VA

(for wire and transformer sizing; and voltage loss calculations)

3c. Large Talon Stake Mounting Instructions.

- To assemble stake, insert flat end of each spike into stake body receptacles. Secure set screws with 3/32" hex bit.
- Prepare turf or bed area by removing plant material or mulch to attain a firm soil surface of about 6" diameter. Tamp down soil and test with bubble level to ensure surface is level. If desired (for aesthetic reasons), Talon Stake body can be set 1" below grade then covered with soil or mulch.
- Position stake so wire opening faces wire trench.
- Drive stake into ground prior to attaching fixture. Use rubber or dead blow mallet to drive talon into ground. Strike directly above each spike in turn, driving stake into ground in steady increments to ensure pins enter vertically. Continue striking until body is firmly seated in soil.
- Extend narrow trench to directly beneath center of stake. Insert fixture lead wire through wire opening. Insert fixture stem into stake receptacle. Secure thumb screw. Back-fill wire trench and, if needed, cover stake with soil or mulch.

LUMINAIRE ADJUSTMENTS

For Impressionist Only! (CIWL6)

NOTE: CWL6LED1 is a fixed output lumen fixture.

1. LIGHT LEVEL ADJUSTMENT INSTRUCTIONS.

All CAST Impressionist Series fixtures have built-in light level control. This can be activated in two ways - using the provided Manual Dimmer Control Jumper Cable or with the CAST Impressionist Dimmer Control (CDIMMER). Both of these devices plug into the Fixture Control Plug located on the fixture lead wire.

- **Manual Dimmer Control Jumper Cable (CIJ).** Plugging this device into the fixture wire Control Plug will activate the dimming (up or down) sequence. Each time the device is plugged in (while fixture is powered) the dimming cycle reverses. As long as the device is plugged in, the fixture will dim up or down until the maximum (100%) or minimum (5%) is reached. If the plug is left in place for 15 sec. after either of these limits are reached, then the fixture resets to 100%. When the device is unplugged, the fixture retains the specific light level even when not powered.
- **CAST Impressionist Dimmer Control (CDIMMER).** Connect CDIMMER plug to fixture wire Control Plug. Switch unit "ON". Depress and hold "DIM" button to dim light up or down. Each time button is depressed, dimming direction reverses. To bring fixture to 100%, depress and hold button for 15 sec. Store unit in cool dry place. Change batteries yearly.



SAFETY INSTRUCTIONS



- **WARNING - Risk of Electric Shock. Install all luminaires less than 10 ft. (3.05 m) or more from a pool, spa, or fountain.**
- Follow NEC guidelines for outdoor low voltage wiring.
- Obey all local electrical codes and requirements.
- Use only 25A/circuit 12-volt power supply.
- A luminaire shall not use tungsten halogen lamps unless the luminaire is marked for such lamps.
- The luminaire's low voltage cable shall:
 - a. be protected by routing in close proximity to the luminaire or fitting, or next to a building structure such as a house or deck;
 - b. not be buried except for a maximum 6 inches (15.2 cm) in order to connect to the main low voltage cable.; and,
 - c. have the length cut off so that it is connected to a connector within 6 inches (15.2 cm) (from a building structure, a luminaire, or fitting).
- Contact only switch or plug when turning system on or off at transformer.
- Do not look directly into a lighted lamp.
- Do not operate the lighting fixture if damaged.
- Do not mount stake mounted fixtures in tree application. Use Tree-Mount fixture only!!
- Unplug transformer while installing and connecting luminaires.
- Main low voltage cable is intended for shallow burial - less than 6" (152 mm) - unless the manufacturer has provided wiring suitable for direct burial.