

# Lighting Specification Sheet

Classic Deck Light (CDL1CB, CDL1LED1, CDL1LED1A)



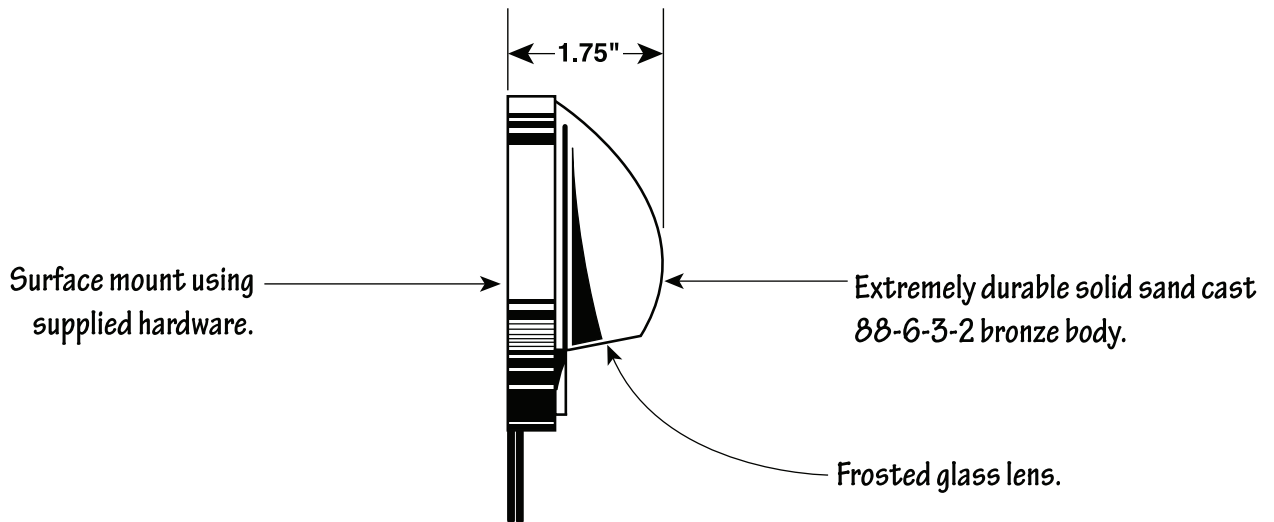
Old world craftsmanship...tomorrow's technology®

Project: \_\_\_\_\_ Date: \_\_\_\_\_  
Fixture Type: \_\_\_\_\_ Quantity: \_\_\_\_\_  
Specifier: \_\_\_\_\_

Drawing not to scale

**CDL1CB:** Must operate lamp between 10.8 -12.0 volts. Optimal range is 10.8 to 11.3V. Check voltage with digital multi-meter.

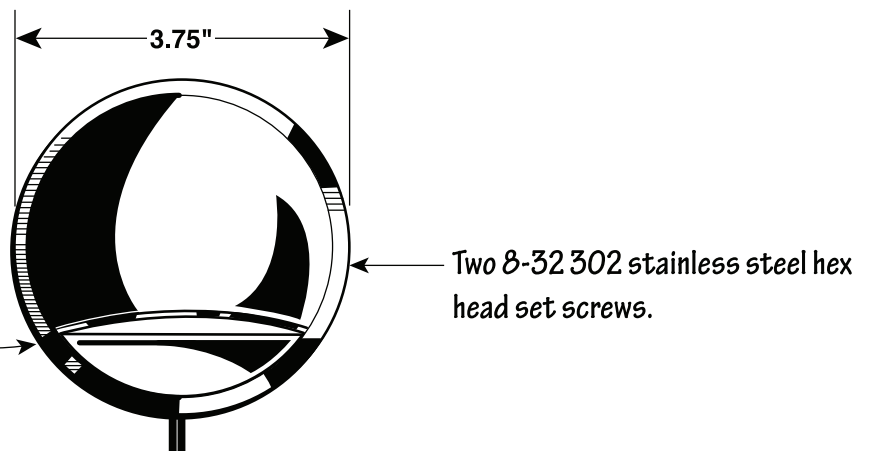
**CDL1LED1:** Operates between 10V to 24V AC or DC.



**CDL1CB:**  
Includes 18 W T-5 wedge-base lamp

**CDL1LED1:**  
Input power: 3.0W  
Power Factor: 0.8W  
(Size wire and power supply for 3.75W)

#18-2 @25' Tin coated



Plan Symbol:

## Notes

- CDL1CB requires wedge-base T-5 Lamp (included-18W; max. rating-18W)
- Typical spacing 6' to 10'
- Downward and horizontal orientation allowed
- Refer to product installation sheet prior to installation