

## NIGHT OWL INFRARED (CPL3IR2D)

The CAST Perimeter® Night Owl CPL3IR2D delivers field tunable infrared intensity adjustment to enhance night vision camera images specific to the site and the camera. This eliminates IR camera "hot spots" and glare that happens with standard IR cameras.

Night Owl CPL3IR2D uses the trusted CAST Perimeter® design for safe low-voltage lighting and is built with the toughest materials.

### PRODUCT SPECIFICATIONS

#### AMBIENT TEMPERATURE RANGE (OPERATING)

-40°C to +55°C

#### VOLTAGE INPUT

##### FIXTURES

17V DC to 30V DC

##### POWER SUPPLY

CPT Series 600 AND 1200 Watt DC Operate 120V / 208V / 240V / 277V Primary Power.

#### THERMAL MANAGEMENT

Passive thermal transfer through integrated components in physical contact with thermal pads and luminaire components.

#### COMPONENT SELECTION

No electrolytic capacitors in drive circuit; components rated for high temperature, voltage, and long life.

#### SURGE & SPIKE PROTECTION

Voltage suppression for transient spikes and surges for voltages over 40V.

#### MOISTURE PROTECTION

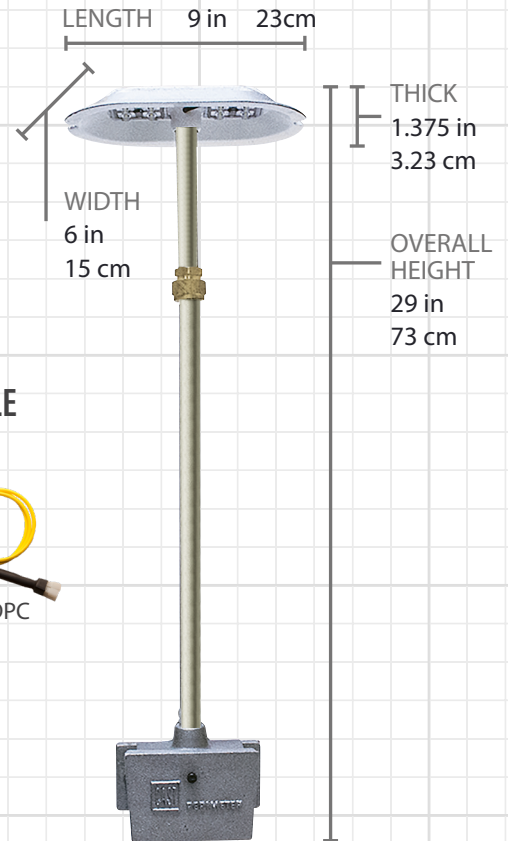
Encapsulated driver in thermally conductive epoxy, gasket, and silicone sealed high impact PMMA optic to protect LEDs.

#### ELECTROMAGNETIC INTERFERENCE PREVENTION

Compliance with FCC Class B Conducted & Radiated.

#### FIELD TUNABLE IR

Allows installer to match the exact IR brightness level required on site using handheld dimmer with twenty different power levels settings. Requires hand-held dimmer # CDIMMER dimmer pigtail connector # CIRDPC.



\*Requires CDIMMER & CIRDPC

### MOUNTING, CONTROL, & SECURITY OPTIONS

#### CPL3IR2D SERIES MOUNTING

Easy install two part mount attaches to any round fence post from 1.5" OD (3.81cm) to 4.5" OD (11.4cm). Custom fence post bracket mounts available.

#### BEAM ANGLE ADJUSTMENT

Fixture easily adjusts to 22° off vertical to accommodate any grade condition using a ball joint style adjustment knuckle. (Requires 1 1/4" wrench.)

#### POWER SUPPLY

Accommodates 120V / 208V / 240V / 277V and European 220V / 240V. For more information please call.

#### THIRD PARTY INTEGRATION

Specifying dry contact/ power signal control circuit to activate lights. Available with CPT1200DCAI Series Power Supply.

# NIGHT OWL INFRARED (CPL3IR2D)

## DIMENSIONS & CONSTRUCTION FOR CPL3IR2D

### LED PERIMETER FENCE LIGHT CPL3IR2D

29" (73cm) tall x 6" (15cm) wide x 9" long (23cm). Top thickness 1.375" (3.23cm) Eurometal hat and base junction box; schedule 40 aluminum stem; stainless steel 1/2" saddle bracket, bolts and washer; PMMA 8N Plexiglas LED optic enclosure. Cable piercing wire quick-connect splice kit (CPQC1) included.

## PHOTOMETRIC & ELECTRICAL DATA FOR CPL3IR2D

NAME (MODEL #)	FIELD TUNABLE <sup>1</sup>	INFRARED NANO-METER <sup>2</sup>	LUMEN MAINTENANCE (L70) (HRS)	INPUT VOLTAGE RANGE (V)	POWER CONSUMED WATTS (W)	IR RADIANT FLUX (RFL)/ LUMENS @ 24 VAC
GEN 3 IR 8 LED (CPL3IR2D)	Yes <sup>1</sup>	850nm <sup>2</sup>	50,000	17V to 30V DC	Max 53W / Min 6W	7817 to 860mW RFL

(1) Requires Dimmer Pigtail connector # CIRDPCC and Dimmer Control # CDIMMER in order to field tune IR intensity.

(2) Also Available in 940 Nanometer Infrared by special order pricing and lead time. Call for details.

## DIMMER CONTROL SETTING, WATTS CONSUMED, IR RADIANT FLUX PRODUCED TESTED @24V DC


Circuit #1	% Power	Circuit #2	% Power	Fixture Wattage	Radiant Flux (Mw)	Notes:
Circuit #1@	100%	Circuit #2@	100%	52.3 Watts	7817	(A)
Circuit #1@	100%	Circuit #2@	100%	46.0 Watts	6798	(B)
Circuit #1@	100%	Circuit #2@	90%	40.0 Watts	5473	
Circuit #1@	90%	Circuit #2@	90%	32.0 Watts	4884	
Circuit #1@	90%	Circuit #2@	80%	29.0 Watts	4126	
Circuit #1@	80%	Circuit #2@	80%	25.0 Watts	3954	
Circuit #1@	70%	Circuit #2@	70%	20.0 Watts	3214	
Circuit #1@	60%	Circuit #2@	60%	15.0 Watts	2345	
Circuit #1@	50%	Circuit #2@	50%	10.0 Watts	1562	
Circuit #1@	40%	Circuit #2@	40%	8.0 Watts	1202	
Circuit #1@	20%	Circuit #2@	20%	6.0 Watts	860	

(A) Hold dimmer button down for 5 seconds when at 100% reading.

(B) As dimmer just blinks in to 100% reading, immediately let off dimmer button (each illuminated scale of dimmer is actually three positions).

## LISTINGS & CERTIFICATIONS FOR CPL3IR

ALL CAST LED LIGHTS: CONFORM TO: UL STANDARDS. 1838 & 8750; CE; CERTIFIED TO CAN/CSA STANDARDS C22.2 NO. 250.0 & C22.2 NO. 250.13. SUITABLE FOR WET LOCATIONS. FCC CLASS B CONDUCTED AND RADIATED. ROHS. FULL LM-79 REPORT AND AGI32 LUX FILES AVAILABLE.

 **DANGER:** Exposure to infrared can cause permanent eye injury. Avoid direct eye exposure. Use proper eye protection when setting up and operating this product.

## CONTACT US

For more information, site estimates, kit choices, and pricing.

**EMAIL** perimeter@cast-lighting.com

**ONLINE** cast-lighting.com/perimeter

**PHONE** 973.423.2303

**ADDRESS** 1120-A Goffle Rd,  
Hawthorne, NJ 07506

**FAX** 973.423.2304

Patents: US Patent 8,845,124; 9,360,197; 9,593,832; 9,777,909; 9,648,688; Intl Patents; Other Patents Pending.

Cast Perimeter® is a division of CAST Lighting which specializes in the research, innovation and manufacturing of low voltage LED lighting solutions.