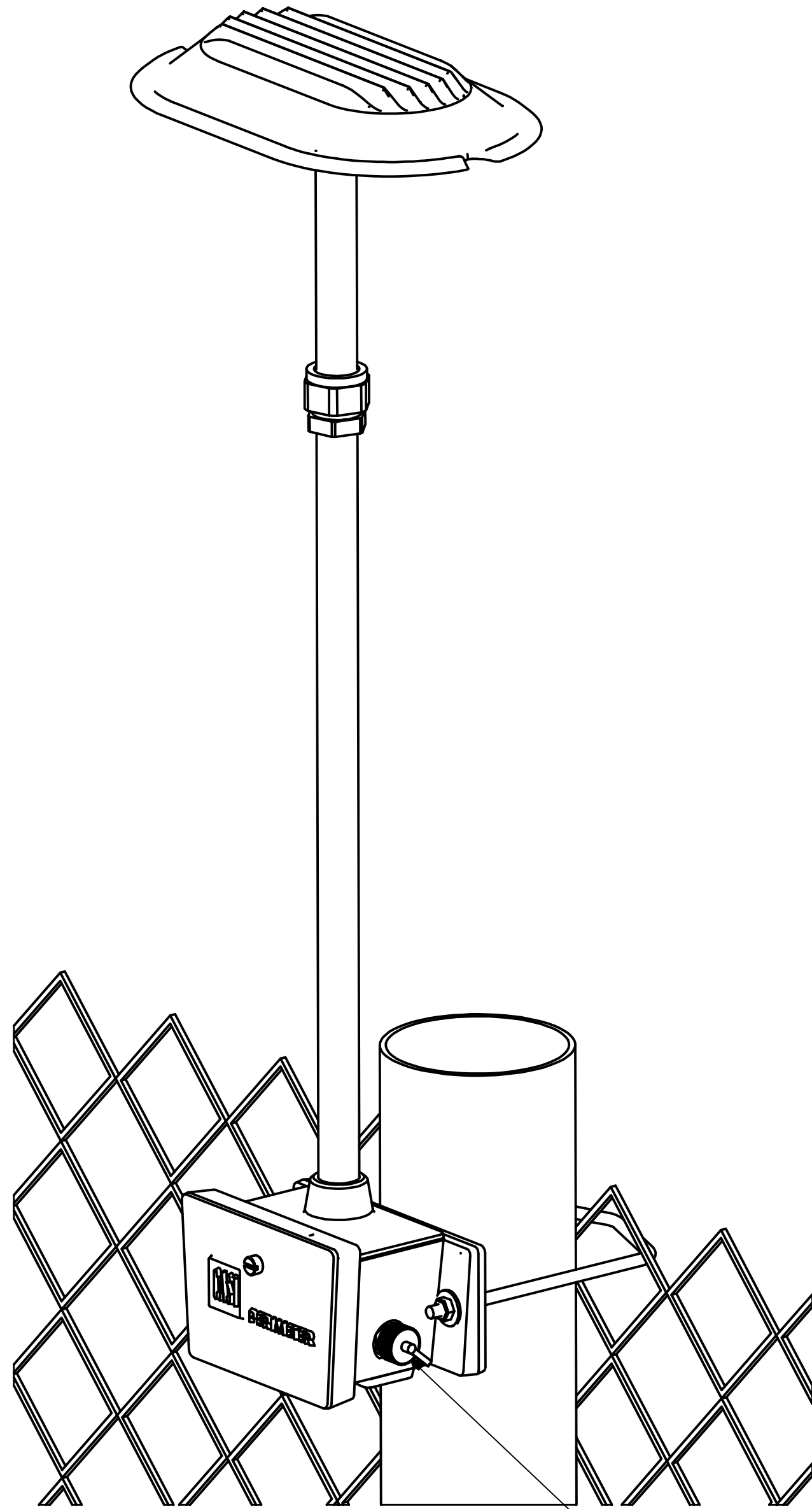


CAST LED HI-POWER Infrared Perimeter Light With Second White Light Circuit (PN# CPL3IR1D1W & IR ONLY MODELS PN# CPL3IR1D & PN# CPL3IR2D): Installation Instructions

DANGER:
EXPOSURE TO INFRARED CAN CAUSE PERMANENT EYE INJURY. USE PROPER EYE PROTECTION WHEN SETTING UP THIS FIXTURE.



NOTE FOR PN# CPL3IR1D1W:

THIS PRODUCT IS A DUAL CIRCUIT FIXTURE THAT REQUIRES POWER FROM TWO DIFFERENT TRANSFORMERS. ONE TRANSFORMER SUPPLIES POWER TO THE INFRARED LED CIRCUIT AND THE OTHER TRANSFORMER PROVIDES POWER TO THE WHITE LED CIRCUIT. THE END USER CAN SWITCH BETWEEN **WHITE** AND **INFRARED**. THE IR CIRCUIT IS FIELD TUNABLE
 UNIT REQUIRES BETWEEN 12V AND 24V AC TO OPERATE PROPERLY.

NOTE:

MODEL #CPL3IR1D IS A SINGLE LED ARRAY
 FIELD TUNABLE IR ONLY FIXTURE
 MODEL #CPL3IR2D IS A DOUBLE LED ARRAY
 FIELD TUNABLE IR FIXTURE.

ATTACH FIXTURE TO FENCE POST USING THE HARDWARE (PROVIDED) 7/16 WRENCH (NOT INCLUDED)

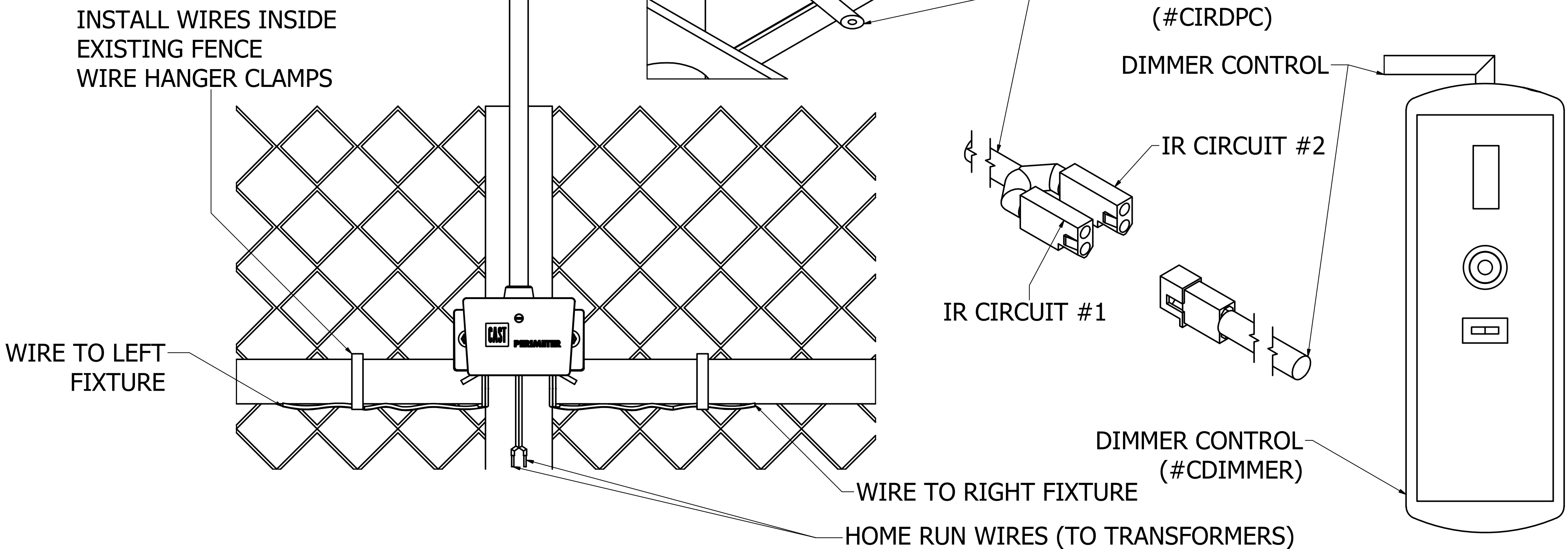
DIMMER CONTROL PLUG

CAST LED HI-POWER Infrared Perimeter Light With Second White Light Circuit (PN# CPL3IR1D1W & IR ONLY MODELS PN# CPL3IR1D & PN# CPL3IR2D): Installation Instructions

DANGER:
EXPOSURE TO INFRARED CAN CAUSE PERMANENT EYE INJURY.
USE PROPER EYE PROTECTION WHEN SETTING UP THIS FIXTURE.

ATTACH WIRES "HOME RUN WIRES" TO CENTER FIXTURE JUNCTION BOX COMING FROM TRANSFORMERS & CONNECT OTHER FIXTURES TO THE LEFT OR RIGHT AS NECESSARY.

UNSCREW BLACK PLASTIC CAP FROM MALE PLUG CONNECTOR & SCREW ON DIMMER PIGTAIL CONNECTOR. ATTACH DIMMER CONTROL UNIT TO ADJUST IR OUTPUT LEVEL



- SETTING UP INFRARED OUTPUT LEVEL:** (TWO SEPARATE CIRCUITS REQUIRED ONE FOR IR & ONE FOR WHITE LIGHT)
- 1. INSTALL ALL IR FIXTURES AS REQUIRED ON FENCE LINE OR AS NEEDED ON SITE.**
 - 2. IN DARKNESS STARTING WITH FIXTURE CLOSEST TO CAMERA ATTACH IR DIMMER PIGTAIL AND DIMMER CONTROL.**
 - 3. HAVING CLOSED CIRCUIT NIGHT VISION IR CAMERA SYSTEM OPERATING USING BLUETOOTH EAR PIECE IN FIELD AND CELL PHONE STARTING AT THE LOWEST LEVEL COMMUNICATE WITH PERSON VIEWING IMAGE ON MONITOR TO INSTRUCT THE INCREASE OR DECREASE OF THE IR LEVEL TO THE DESIRED SETTING FOR OPTIMAL SCREEN IMAGE. **
 - 4. ONCE BUTTON IS RELEASED IR LEVEL WILL REMAIN FIXED FOR THE LIFE OF THE SYSTEM.**
 - 5. REPLACE CAP ON PIN CONNECTOR WHEN FINISHED.**