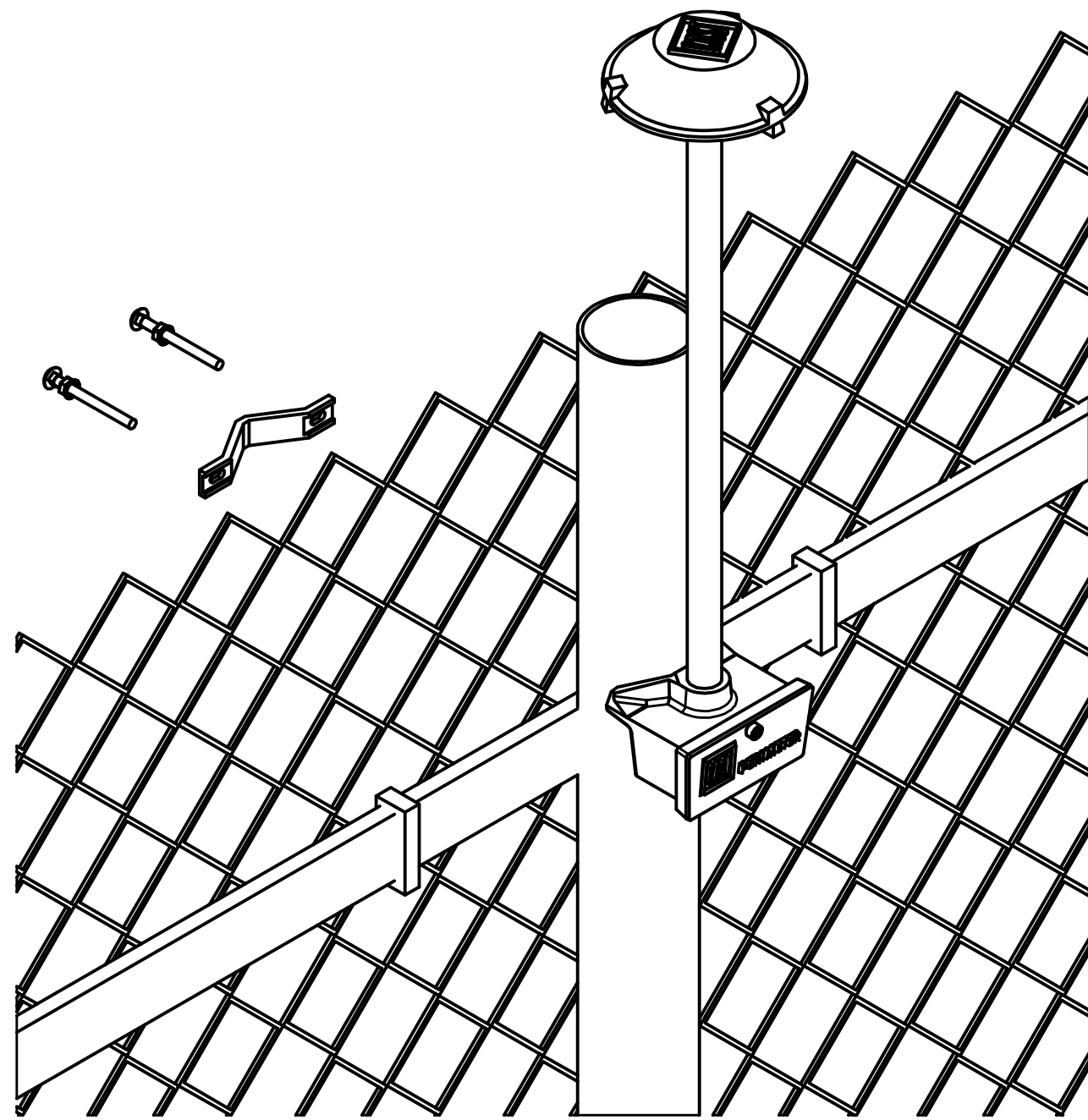
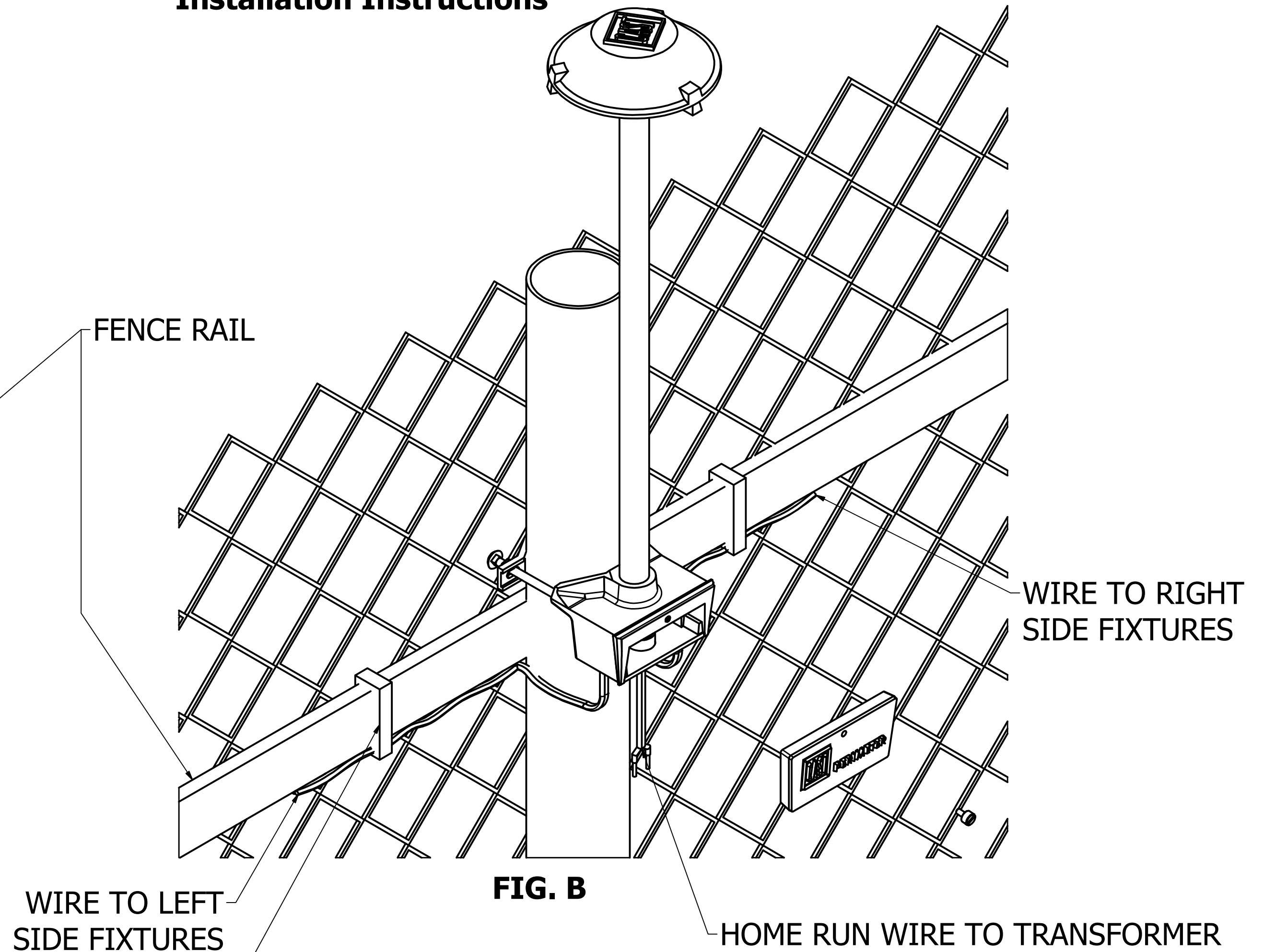


**CAST LED Perimeter Light (CPL1):  
 Installation Instructions**



**FIG. A**

**ATTACH EACH FIXTURE TO FENCE POST USING THE HARDWARE (PROVIDED) & A 7/16 WRENCH (NOT INCLUDED) AS SHOWN ON FIG. A.**



**FIG. B**

WIRE TO LEFT SIDE FIXTURES

INSTALL WIRES INSIDE EXISTING FENCE WIRE HANGER CLAMPS

HOME RUN WIRE TO TRANSFORMER

WIRE TO RIGHT SIDE FIXTURES

**NOTE:**

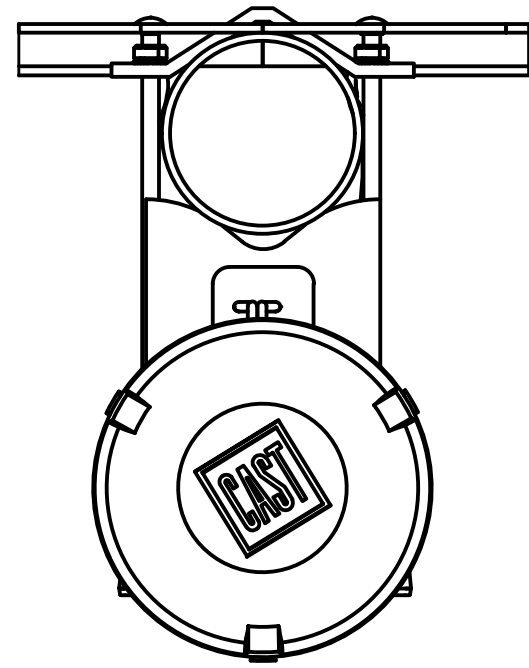
CABLE TIE NO-OX WIRE TO FENCE POST USING UV RESISTANT CABLE TIES OR INSTALL IN PVCE CONDUIT

**INSTALL ALL FIXTURES AS REQUIRED ON FENCE LINE OR AS NEEDED ON SITE. ONCE FIXTURES ARE SECURED IN PLACE REMOVE FRONT COVER & MAKE ALL CONNECTIONS INSIDE USING THE "WIRE CONNECTORS" (SUPPLIED WITH EACH FIXTURE).**

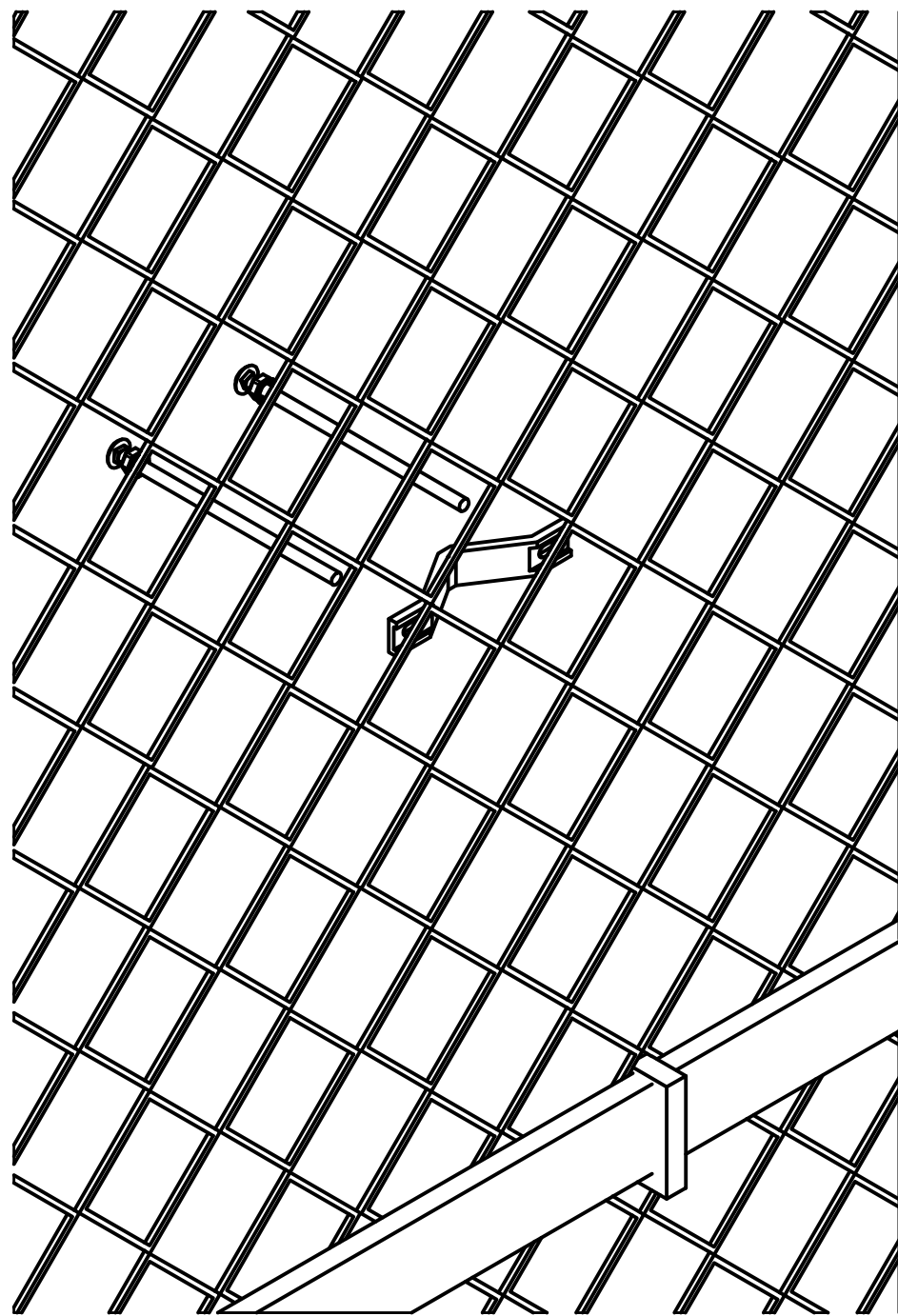
**CAST LED Perimeter Light (CPL1):  
 Installation Instructions With Offset Bracket**

**SHOULD FIXTURE REQUIRE MOUNTING ALONG FENCE PIPE  
 NOT AT TOP OF FENCE POST, MOUNTING WILL REQUIRE  
 OFFSET BRACKET TO PREVENT TOP HAT FROM HITTING FENCE POST (#CPLOSB)**

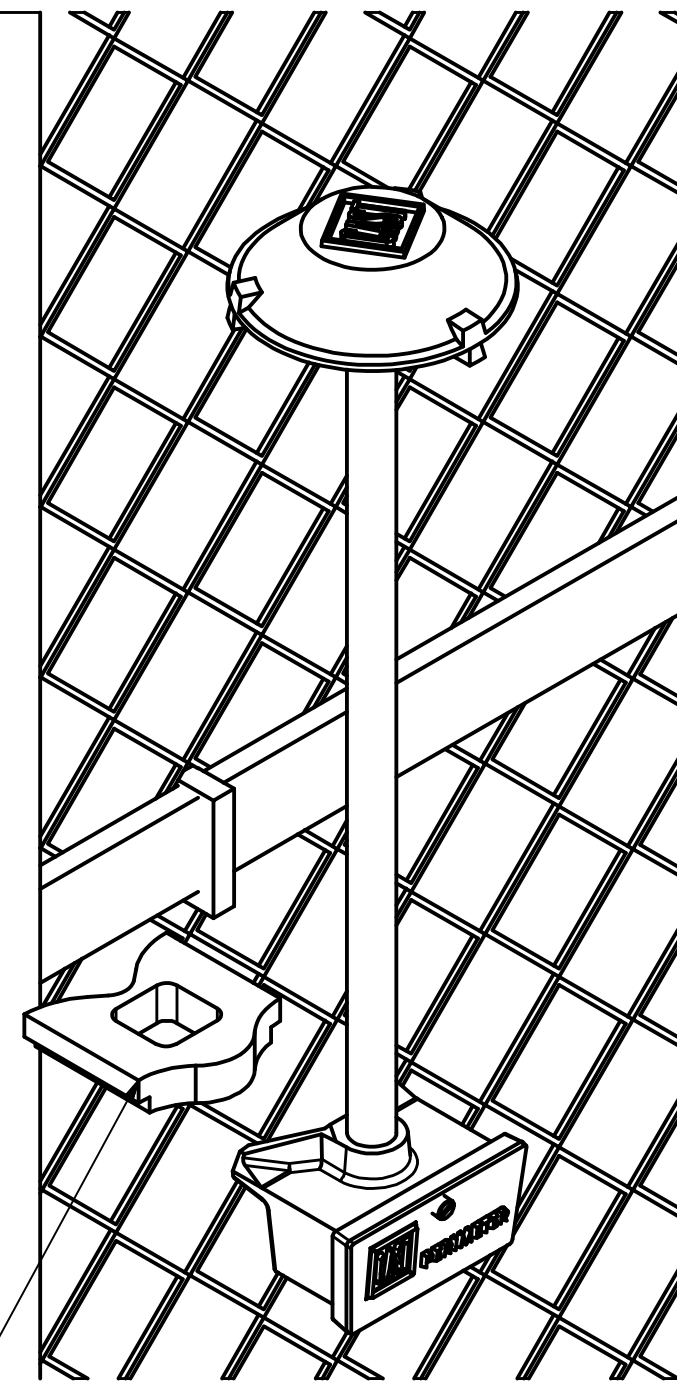
**INSTALL ALL FIXTURES AS REQUIRED ON FENCE LINE OR AS NEEDED ON SITE.  
 ONCE FIXTURES ARE SECURED IN PLACE REMOVE FRONT COVER  
 & MAKE ALL CONNECTIONS INSIDE USING  
 THE "WIRE CONNECTORS" (SUPPLIED WITH EACH FIXTURE).**



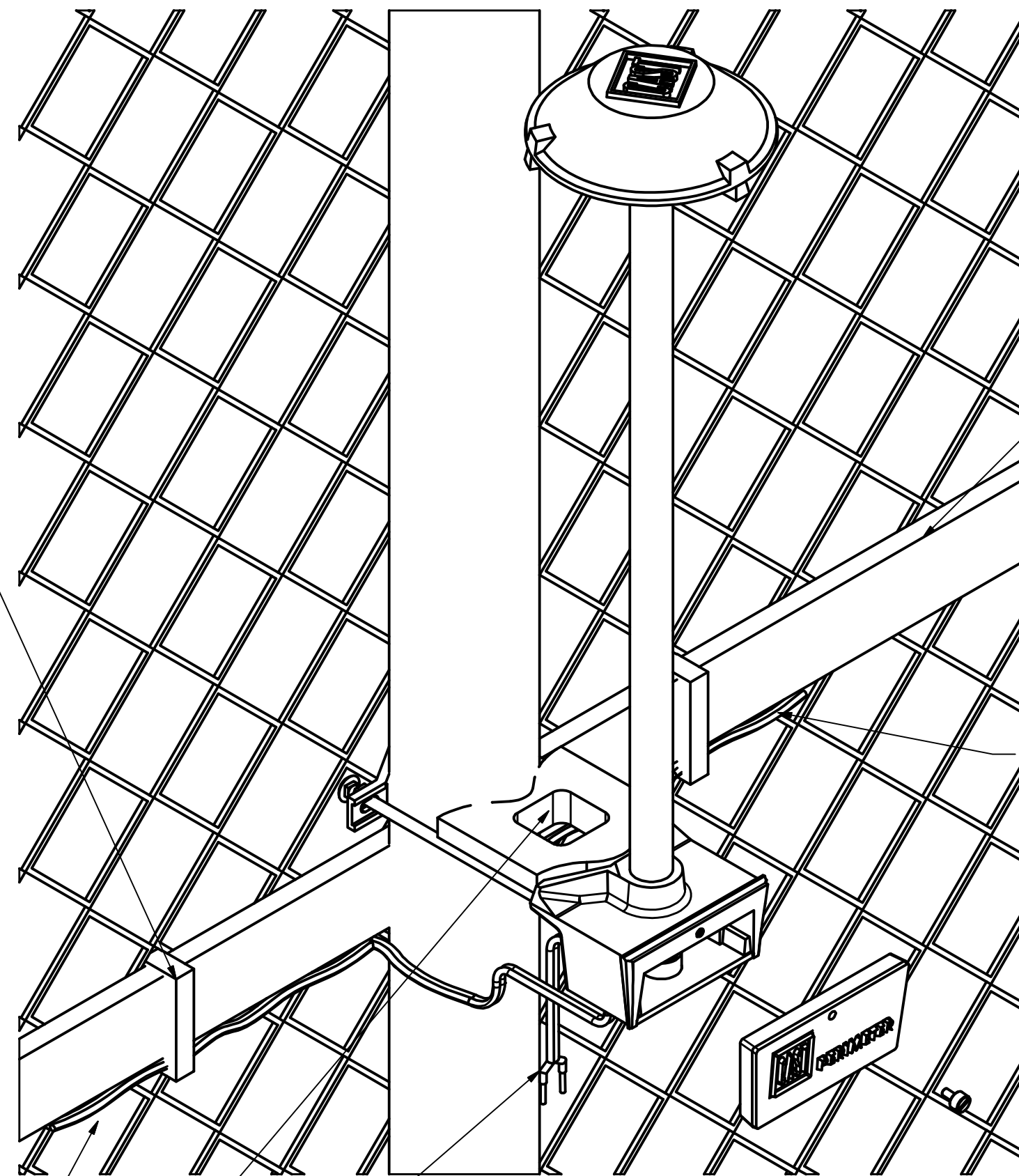
INSTALL WIRES INSIDE  
 EXISTING FENCE WIRE  
 HANGER CLAMPS



**FIG. C**



OFFSET BRACKET  
 #CPLOSB



FENCE RAIL

WIRE TO RIGHT  
 SIDE FIXTURES

WIRE TO LEFT  
 SIDE FIXTURES

HOME RUN WIRE TO TRANSFORMER

USE THIS HOLE TO BRING WIRE DOWN FROM  
 FENCE POST INTO BOTTOM OF FIXTURE  
 JUNCTION BOX

**ATTACH EACH FIXTURE TO FENCE POST  
 USING THE HARDWARE (PROVIDED),  
 A 7/16 WRENCH (NOT INCLUDED) &  
 THE OFFSET BRACKET AS SHOWN ON FIG. C.**

NOTE:  
 CABLE TIE NO-OX WIRE TO FENCE POST USING UV RESISTANT CABLE TIES  
 OR INSTALL IN PVC CONDUIT