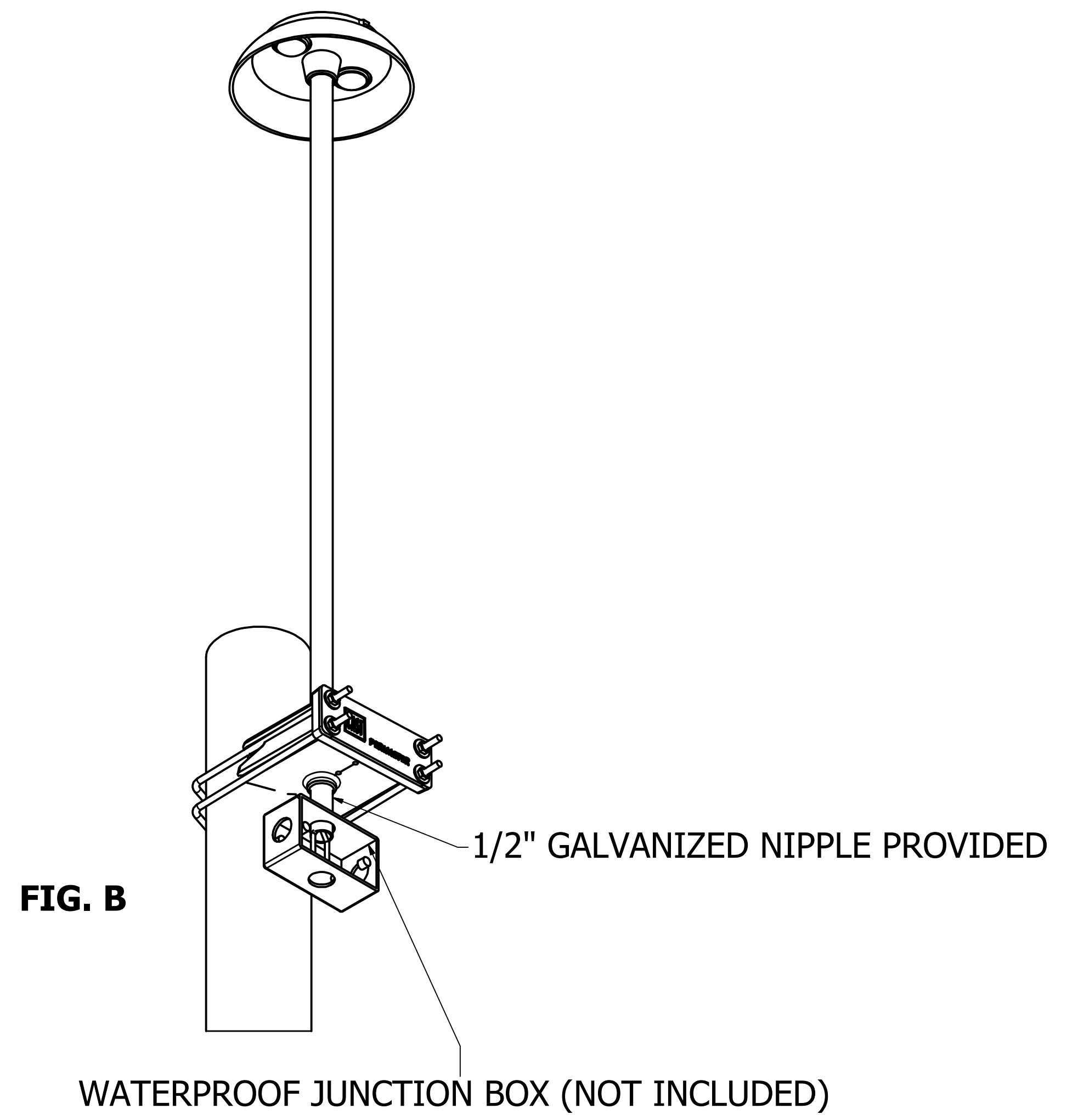
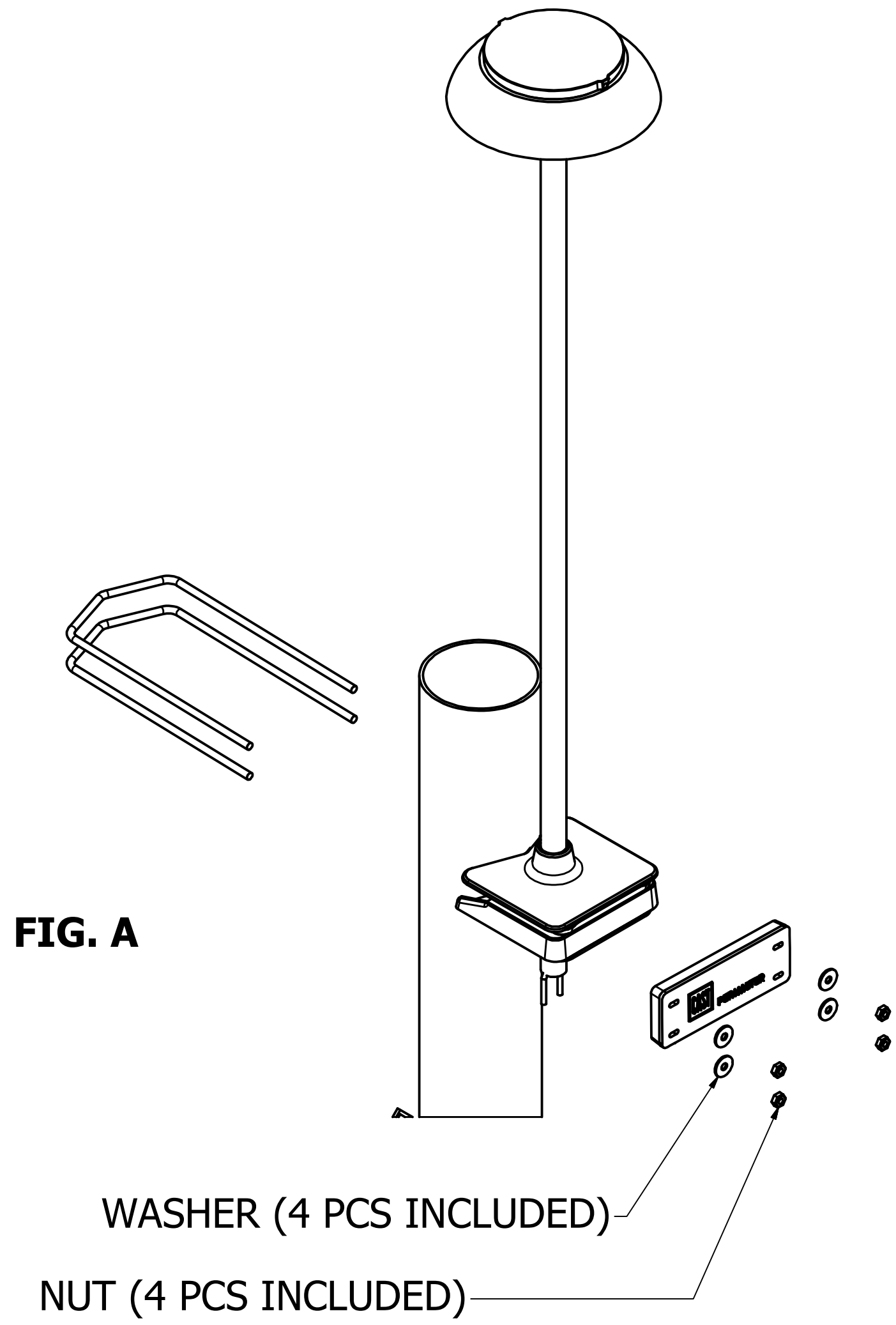


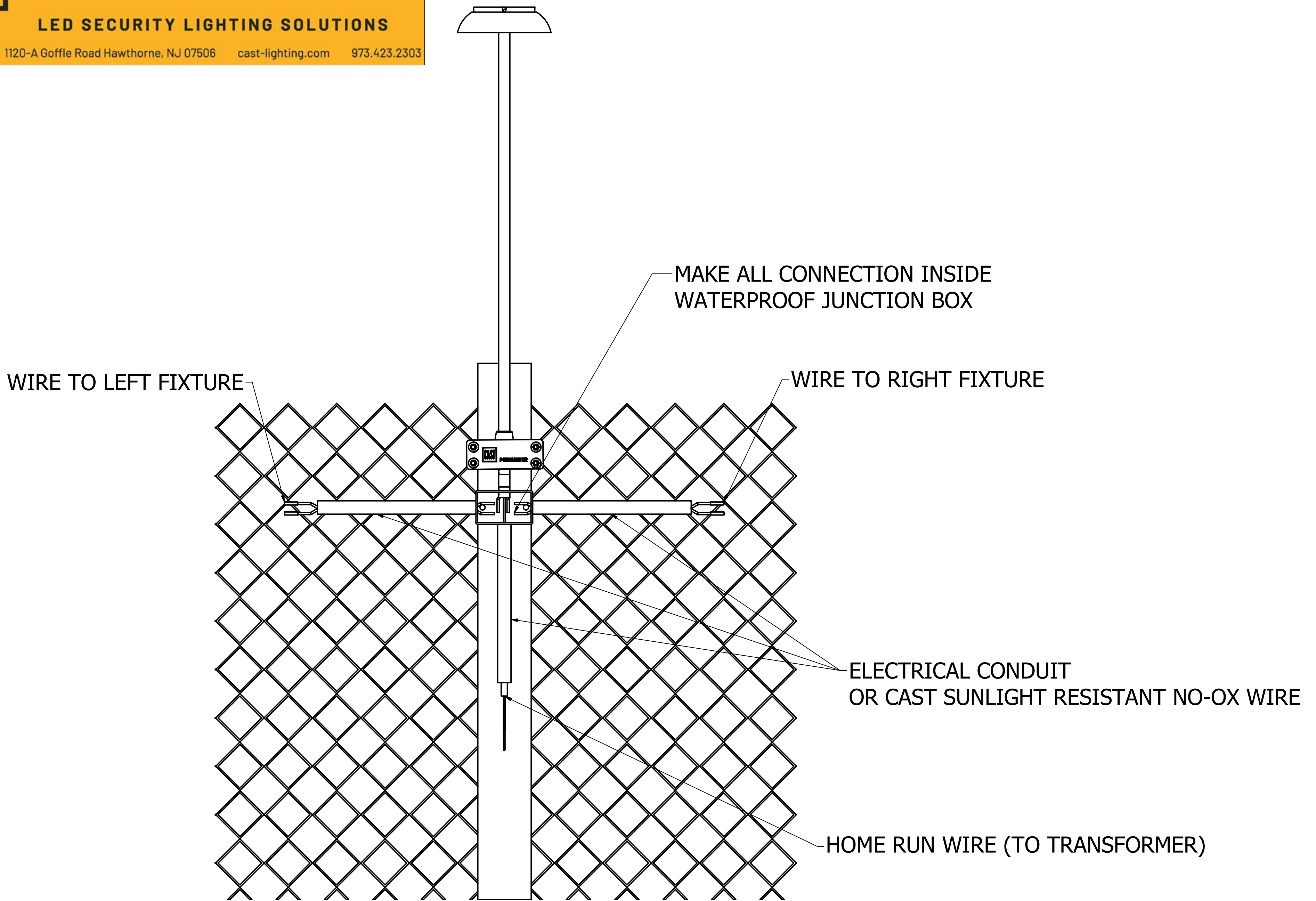
**CAST LED HI-POWER Perimeter Light (CPL12X, CPL13X & CPL14X):  
 Installation Instructions**



**ATTACH FIXTURE TO FENCE POST  
 USING THE HARDWARE (PROVIDED)  
 7/16 WRENCH (NOT INCLUDED)**

**ONCE FIXTURE IS INSTALLED TO THE FENCE POST  
 PROCEED WITH THE INSTALLATION OF JUNCTION BOX (NOT INCLUDED)  
 AT THE BASE OF THE 1/2" NPT GALVANIZED NIPPLE AS SHOWN ON FIG. B.**

**CAST LED HI-POWER Perimeter Light (CPL12X, CPL13X & CPL14X):  
Installation Instructions**



**ATTACH WIRE "HOME RUN WIRE" TO CENTER FIXTURE JUNCTION BOX  
COMING FROM TRANSFORMER & CONNECT OTHER FIXTURES  
TO THE LEFT OR RIGHT AS NECESSARY.**