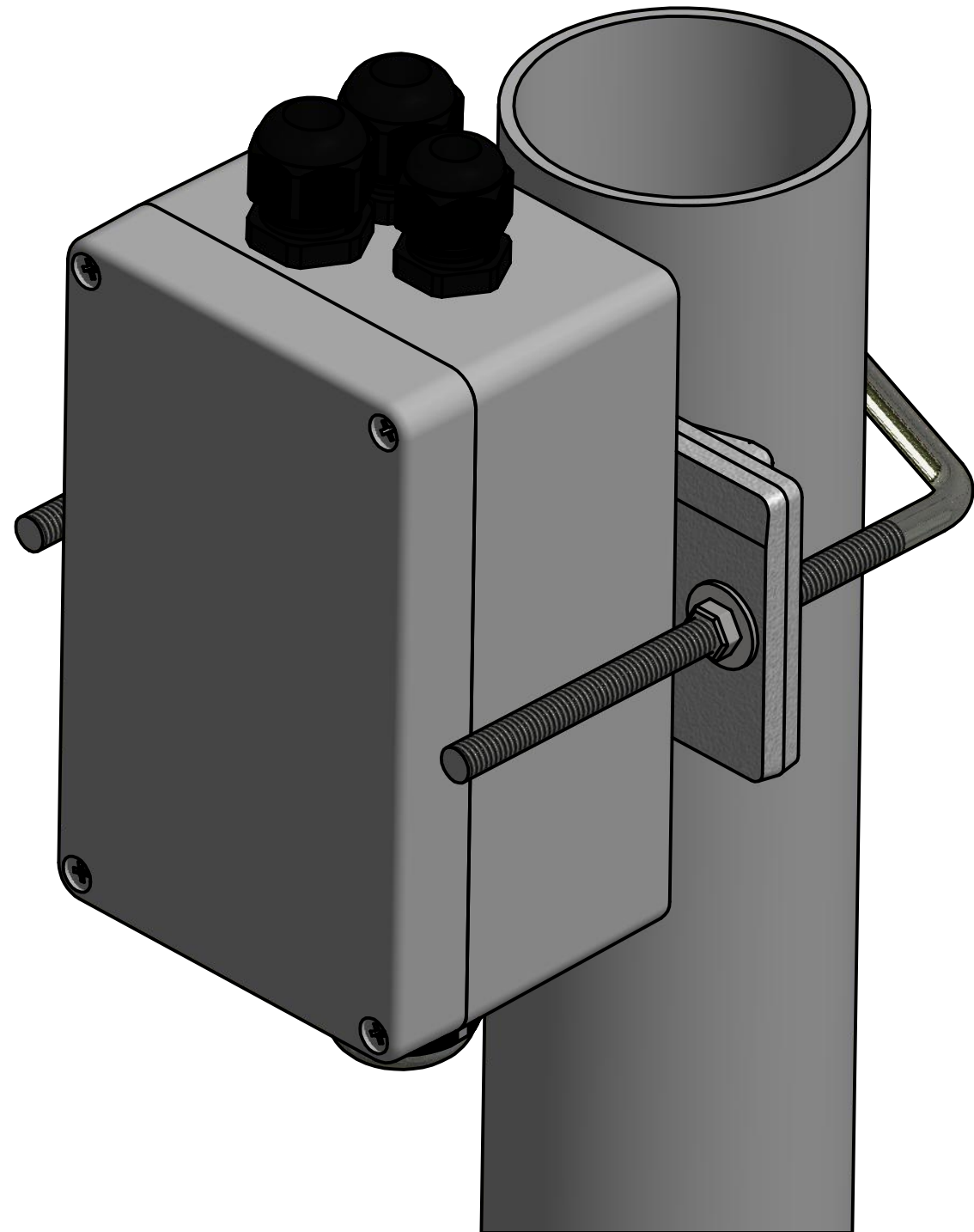


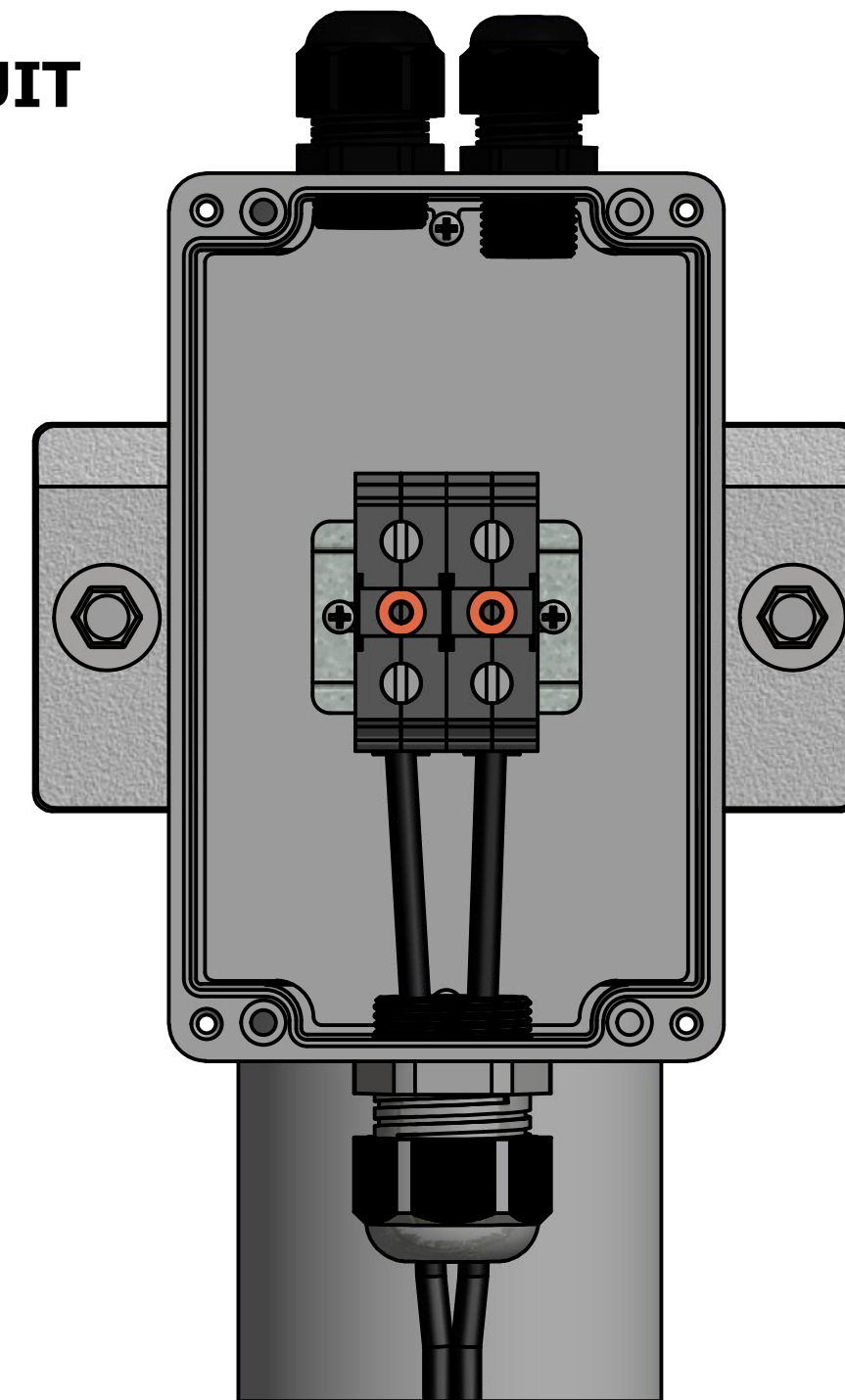
**FENCE POST MOUNTED HOME RUN WIRE JUCTION BOX:  
 Installation Instructions**

**MODEL #CPLKJB ONE CIRCUIT**



**FIG. A**

**STEP #1.**  
**ATTACH WIRE JUCTION BOX WITH "U" BOLT HARDWARE TO UPRIGHT FENCE POST AT THE CENTER OF THE LIGHTING RUN OR AT THE BEGINNING OF WIRE RUN AS SHOWN ON WIRING INSTRUCTIONS.**



**FIG. B**

**STEP #2.**  
**TAKE HOME RUN WIRE FROM TRANSFORMER & DEPENDING ON THE DESIGN SPLIT THE #8-2 OR #10-2 HOME RUN DOWN THE CENTER THUS FORMING TWO ROUND WIRES. FEED THE TWO ROUND WIRES THRU THE TWO-HOLE CABLE GLAND IN BASE OF JUCTION BOX & ATTACH ONE EACH WIRE TO THE TWO SEPARATE GRAY TERMINAL BLOCKS MAKING SURE NOT TO PLACE ANY WIRE INSULATION IN THE JAWS OF THE TERMINAL BLOCK CONNECTION. MAKE SURE YOU HAVE NOT CUT ANY WIRE STRANDS & THE CONNECTION IS TIGHT.**

**FENCE POST MOUNTED HOME RUN WIRE JUCTION BOX:  
 Installation Instructions**

**STEP #3.**

**TAKE THE #10-2 OR #12-2 WIRE FEEDING THE LIGHTING FIXTURES TO THE LEFT SIDE AND AGAIN SPLIT THE WIRE DOWN THE CENTER FORMING TWO ROUND WIRES. FEED THE TWO WIRES THRU THE TWO-HOLE CABLE GLAND IN THE TOP OF JUCTION BOX AND PLACE WIRES IN ONE EACH OF THE GREY TERMINAL BLOCKS MAKING SURE NOT TO PLACE ANY WIRE INSULATION IN THE JAWS OF THE TERMINAL BLOCKS CONNECTION. MAKE SURE YOU HAVE NOT CUT ANY WIRE STRANDS.**

**STEP #4.**

**DO THE SAME FOR THE #10-2 OR #12-2 WIRE FEEDING THE RIGHT SIDE.**

**STEP #5.**

**TAKE THE #16-2 WIRE PROVIDED & DO THE SAME CONNECTION INTO THE TERMINAL BLOCKS. This #16-2 WIRE WILL PROVIDE POWER TO THE FIXTURE MOUNTED ATOP AS THE WIRE JUCTION BOX. THE SAME FENCE POST**

**STEP #6.**

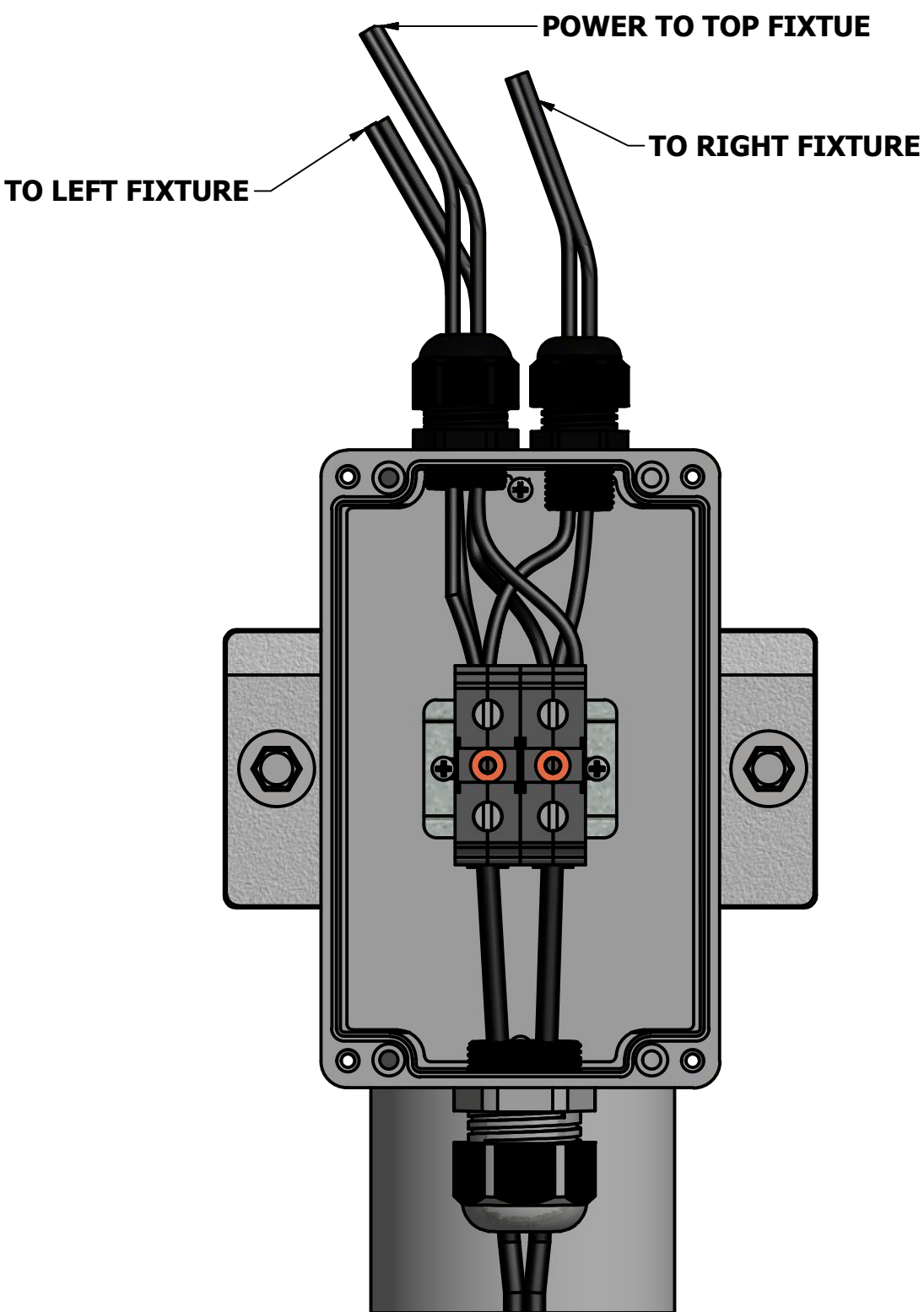
**FINALLY MAKE SURE THERE ARE NO STRAY WIRE STRANDS, INSPECT THE JAWS OF THE TERMINAL BLOCK FOR GOOD BARE WIRE INSERTION & SCREW DOWN THE WIRE CONNECTION MAKING SURE THE WIRE CONNECTIONS ARE NICE & TIGHT. (USE CORRECT 1/4" FLAT HEAD SCREW DRIVER AS SMALLER FLAT HEAD WILL NOT DELIVER NECESSARY TORQUE & CAN STRIP SCREW HEAD).**

**STEP #7.**

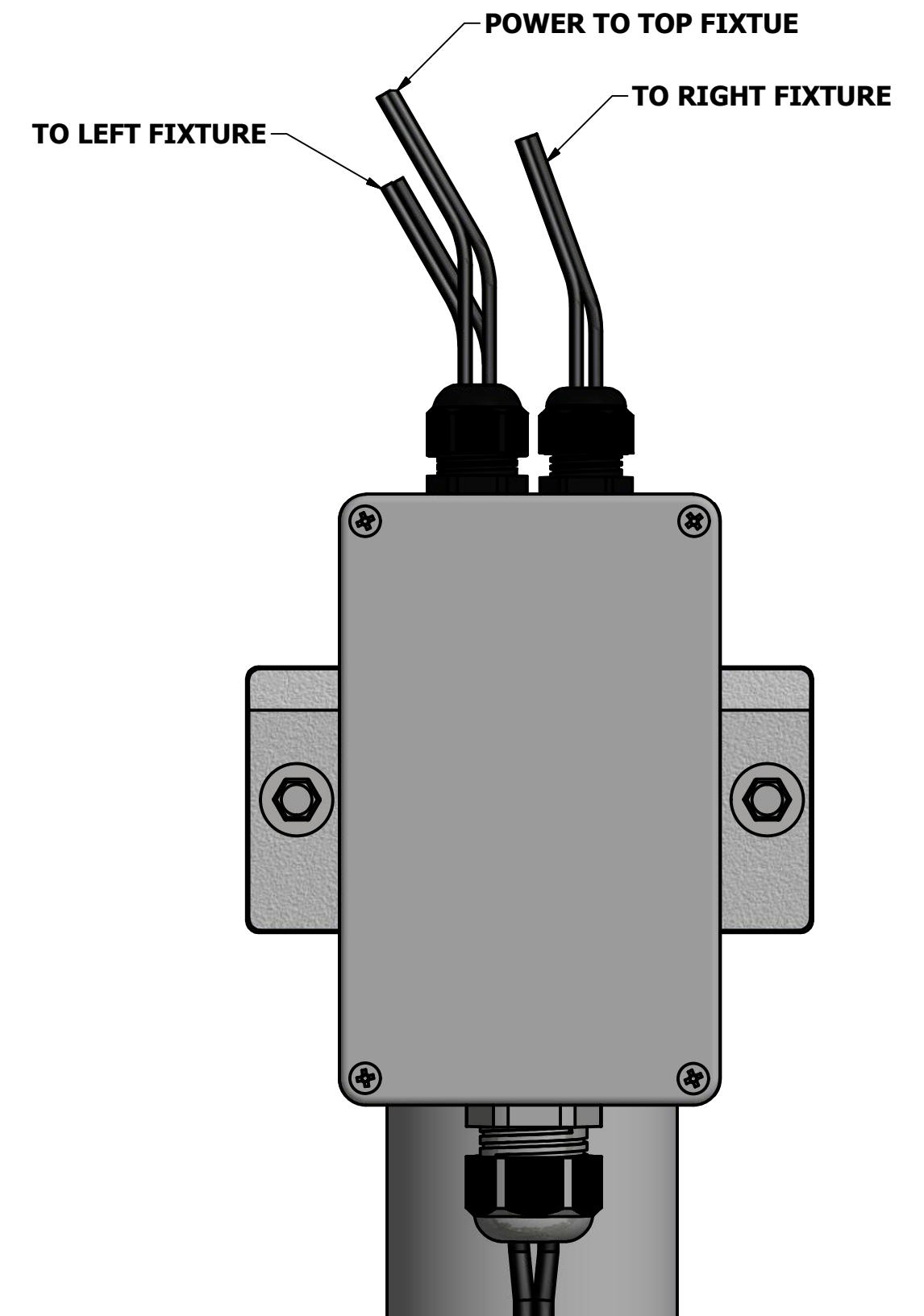
**TIGHTEN DOWN ALL FOUR OF THE CABLE GLANDS NUTS TO SECURE WATER TIGHT CONNECTION.**

**STEP #8.**

**INSTALL COVER WITH FOUR SCREWS & GASKET.**



**FIG. C**



**FIG. D**

**NOTE: THE GREY TERMINAL BLOCKS HAVE A QUICK RELEASE FEATURE ON TOP AGAINST DIN RAIL, WITH FLAT HEAD SCREW DRIVER YOU CAN REMOVE FOR EASIER WIRING.**