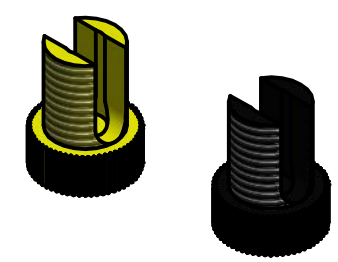
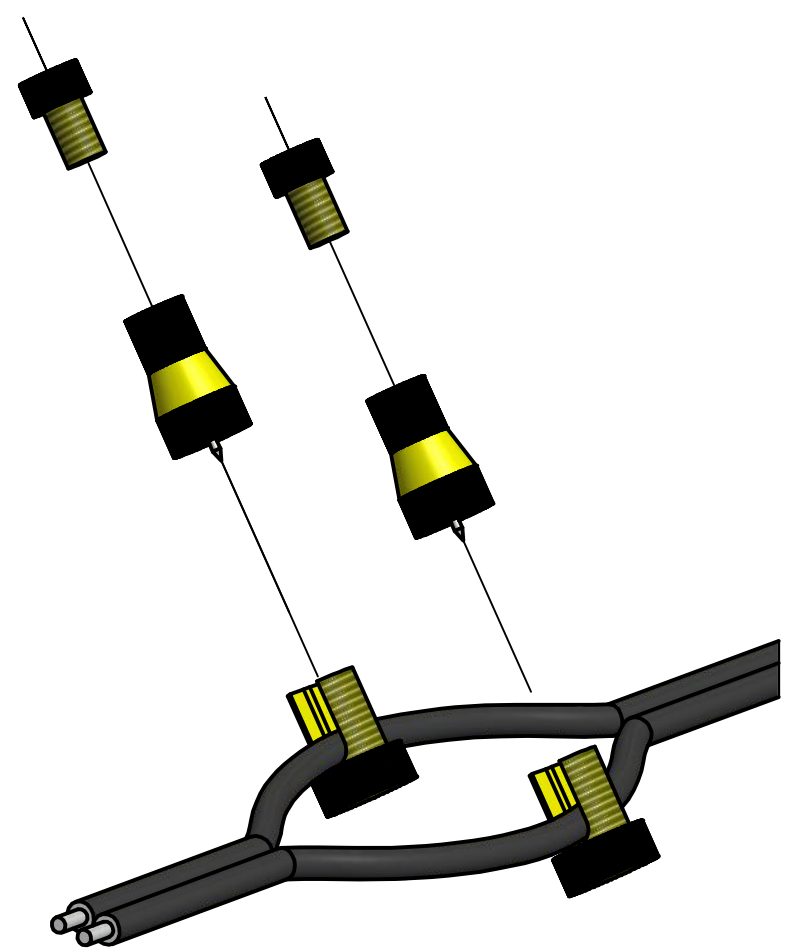


1 PC WIRE SPLICE CONNECTOR KIT
Instructions:
PART #CPQC1

CONTENTS:
 2 PCS POSI-TAP W/ #14 GAUGE GLAND
 2 PCS COMBO #12 & #10 GAUGE GLAND

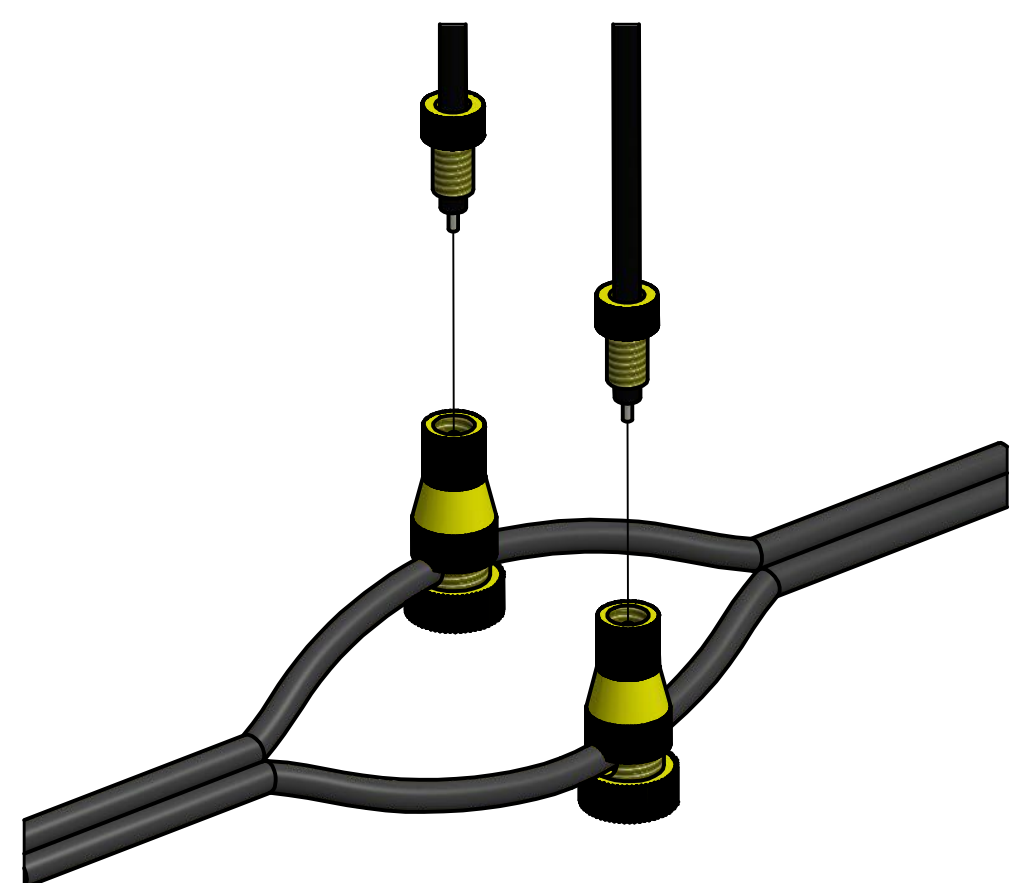


STEP #1.
SEPARATE THE TWO LEGS OF THE SPT FIXTURE POWER WIRE.
MAKE SURE NOT TO CUT INSULATION AND EXPOSE BARE CONDUCTOR.



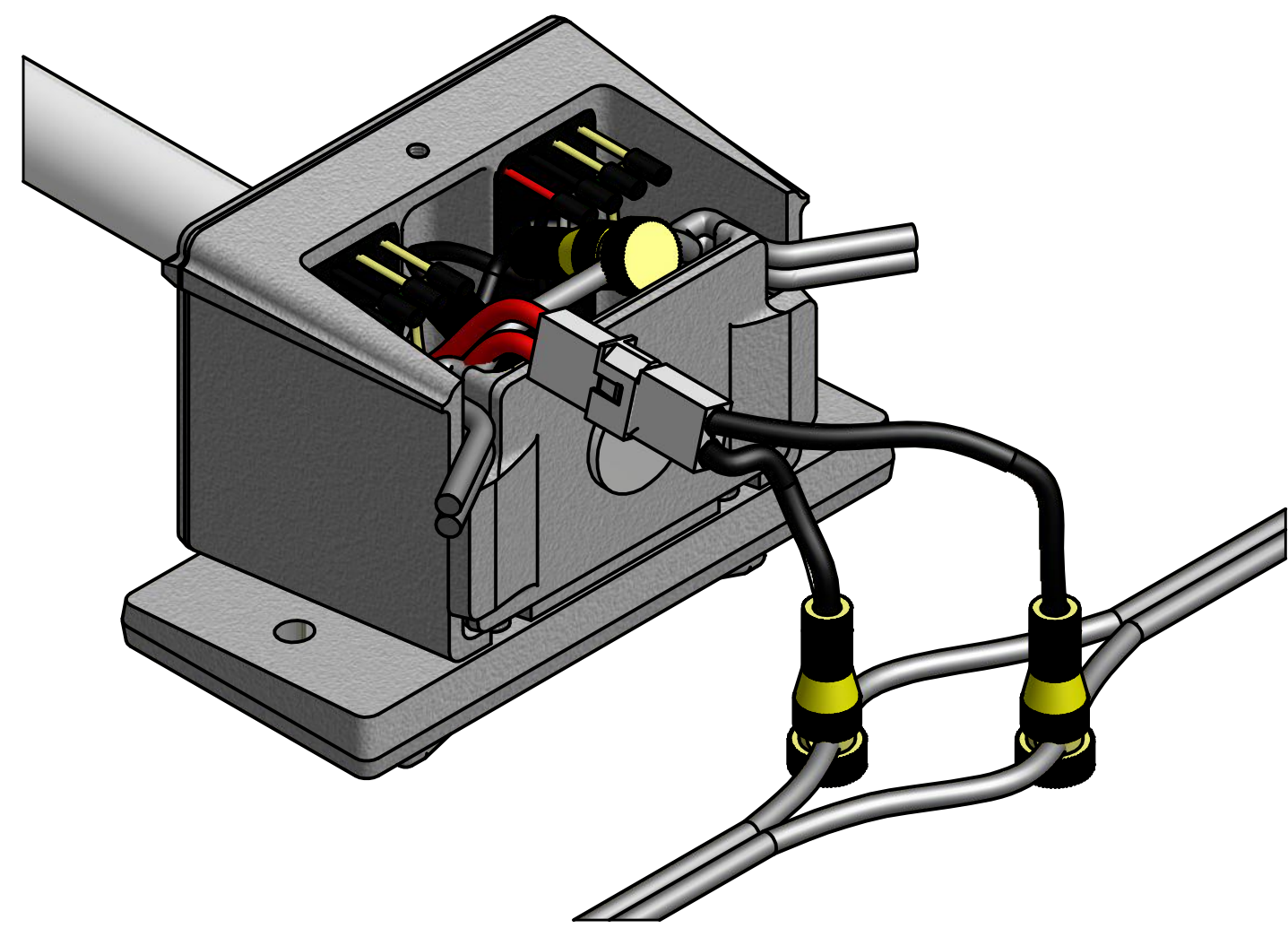
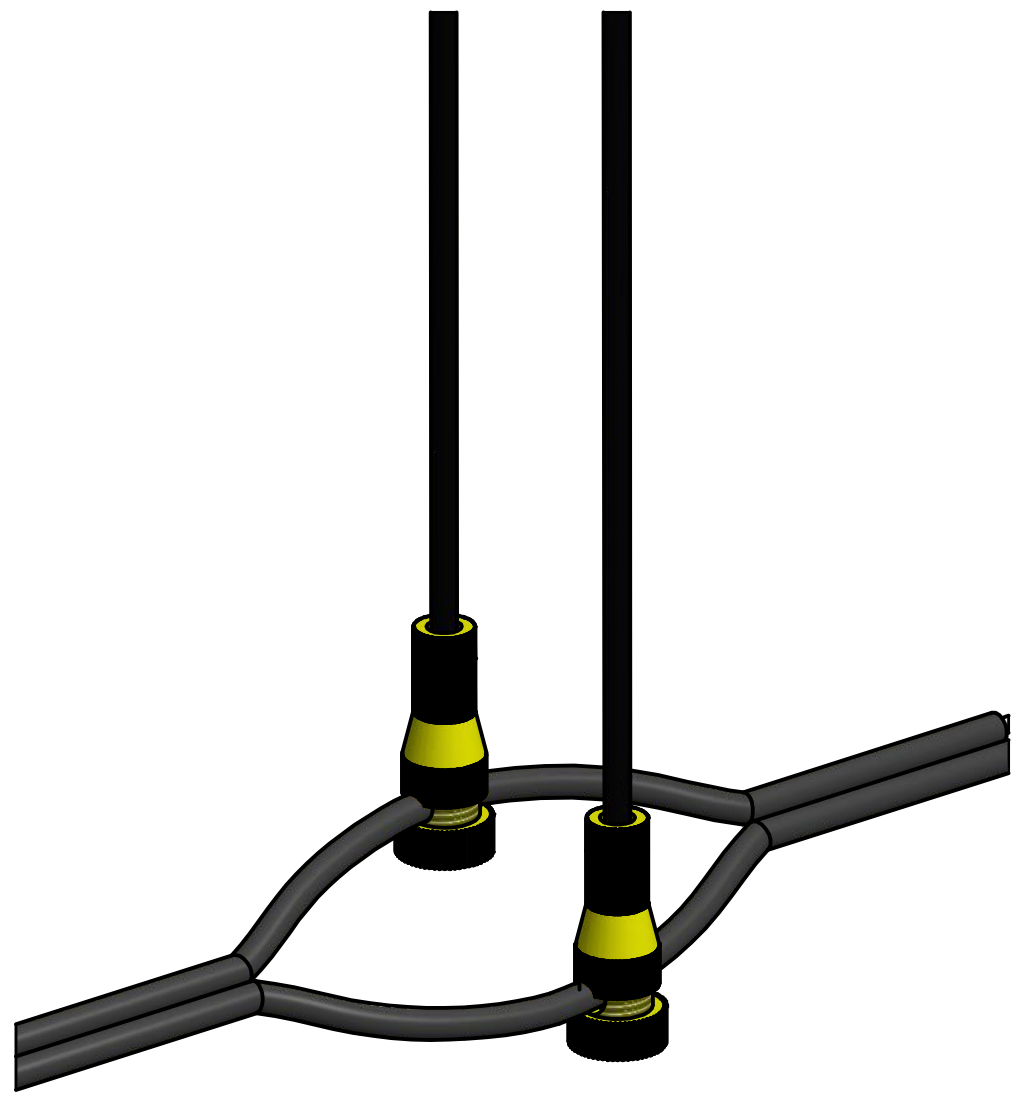
STEP #3.
PLACE GLAND OVER WIRE.
SCREW POSI-TAP CONNECTOR DOWN
SO THE PIN PIERCES THE INSULATION
& THE BODY SCREWS DOWN
& RESTS FIRMLY AGAINST WIRE INSULATION.

STEP #2.
SELECT APPROPRIATE WIRE GAUGE GLAND.
YELLOW IS FOR #14 GAUGE,
BLACK IS FOR # 12 & # 10 GAUGE SPT WIRE.



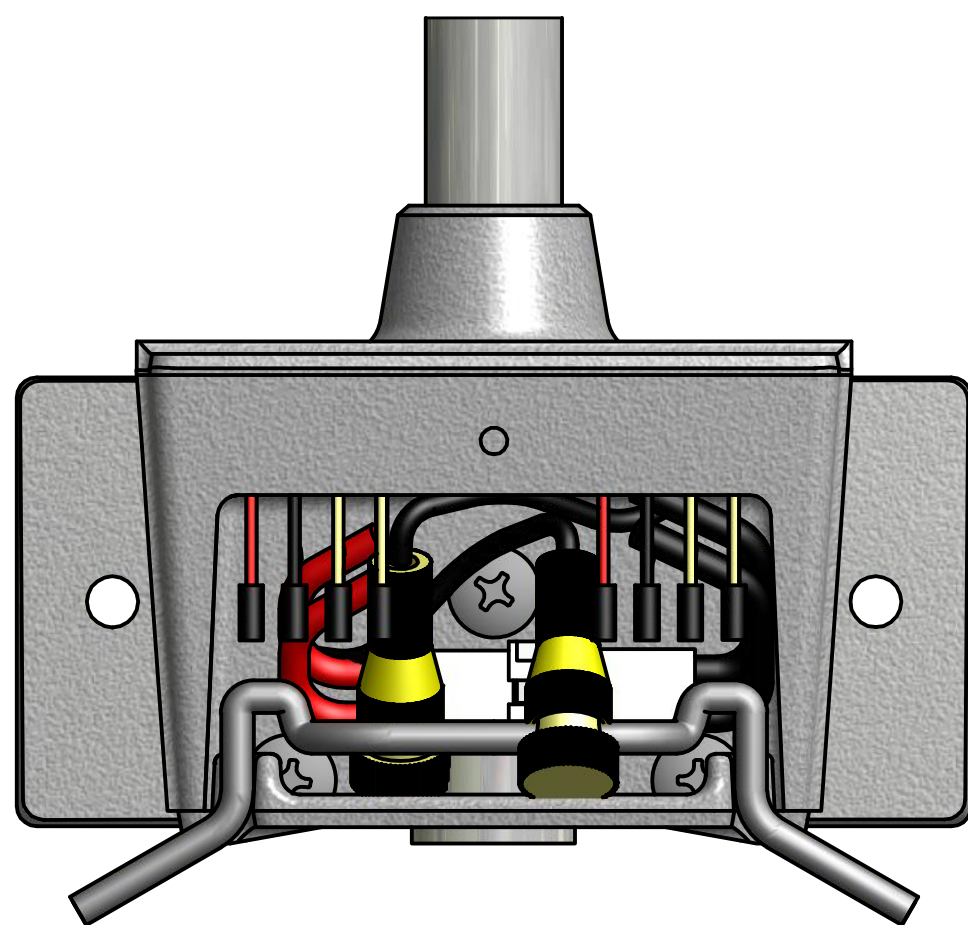
STEP #4.
STRIP 3/8" INSULATION OFF FIXTURE LEAD WIRE.
DO NOT TWIST WIRE STRANDS. PLACE WIRE
INSIDE BACK OF POSI-TAP WIRE CONNECTOR BODY
SO WIRE REACHES BOTTOM OF CAVITY
& RESTS AGAINST METAL CONNECTION POST
AND WIRE INSULATION RESTS JUST ABOVE TOP OF METAL
CONNECTION POST. TIGHTEN UPPER WIRE GLAND DOWN FULLY.

1 PC WIRE SPLICE CONNECTOR KIT
Instructions:



STEP #5.
COMPLETED POSI-TAP WIRE SPLICE CONNECTION
MAKE SURE BOTH THE BOTTOM GLAND
AND THE BACK SCREW CONNECTIONS ARE TIGHT TO
INSURE A GOOD CONNECTION.

STEP #6.
INSERT MALE QUICK CONNECTOR INTO
FEMALE FIXTURE QUICK CONNECT.



STEP #7.
PLACE POSI-TAP WIRE SPLICE AND FIXTURE QUICK CONNECT
INSIDE JUNCTION BOX FOR A COMPLETED FIXTURE CONNECTION.