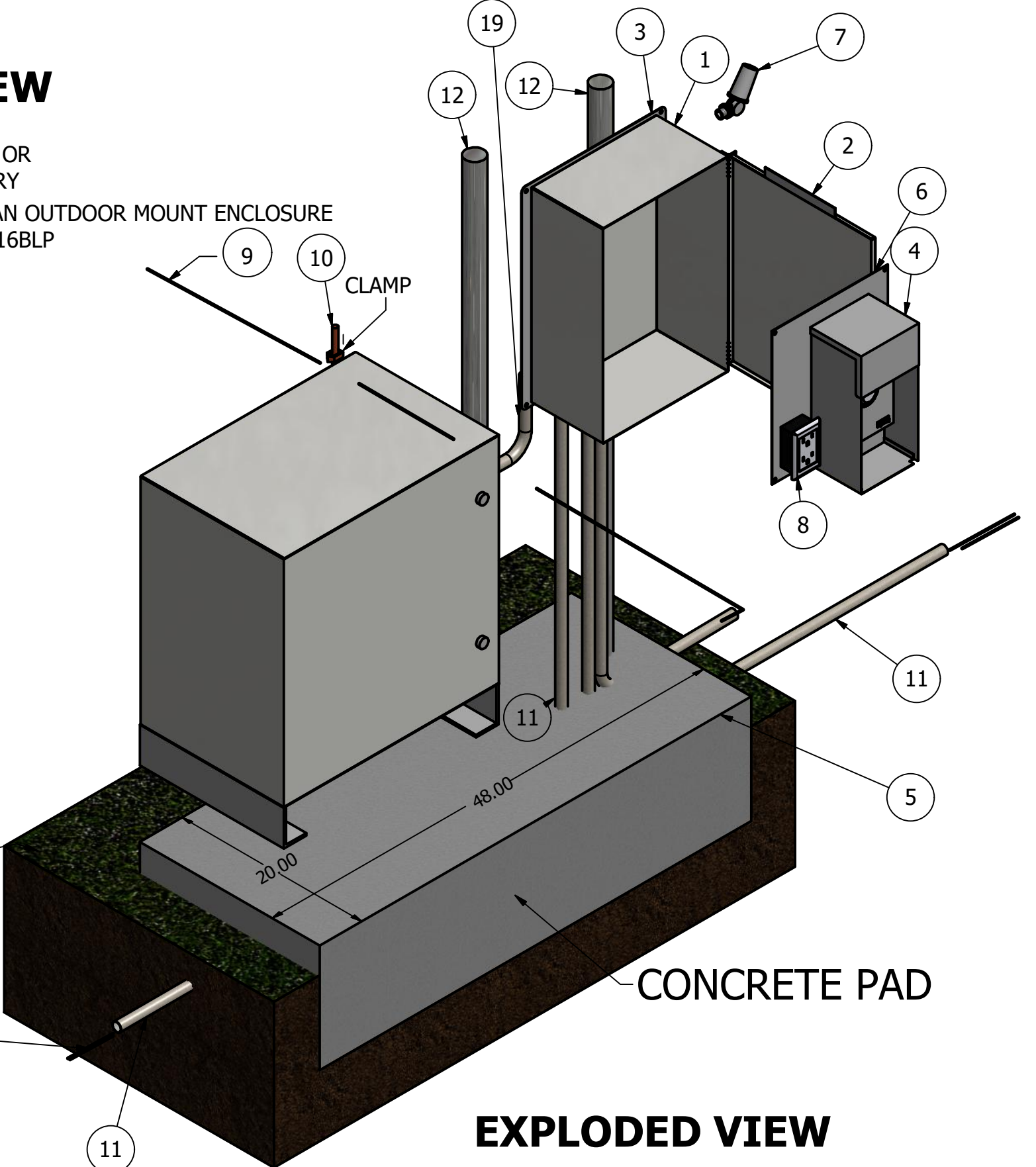
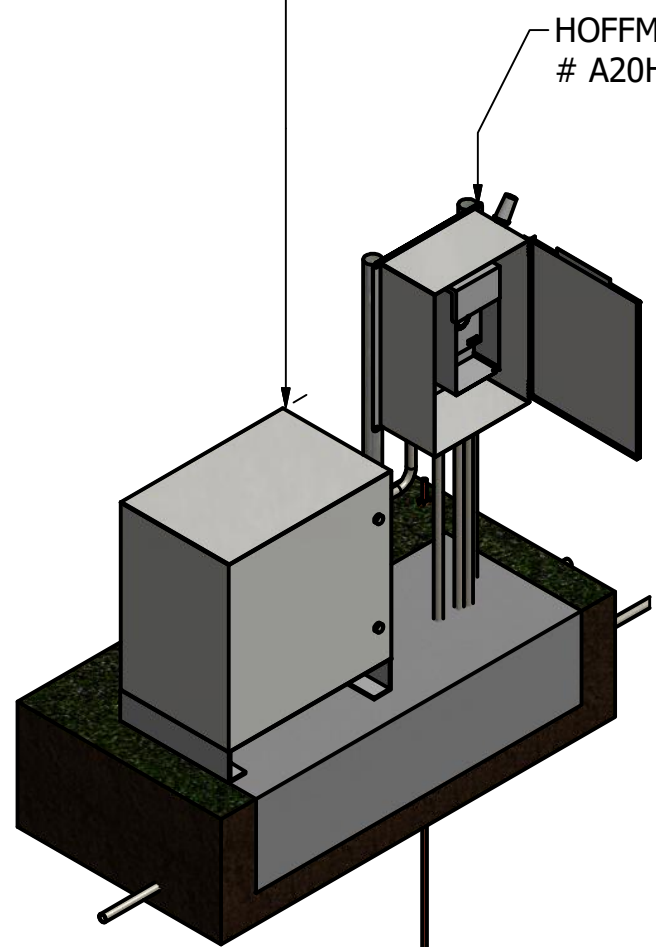


220/230 VOLT I PHASE 50/60 HZ POWER
 USE THHN WIRE. OR USE DIRECT BURIAL
 WIRE INSTALLED WITH VIBRATORY PLOUGH

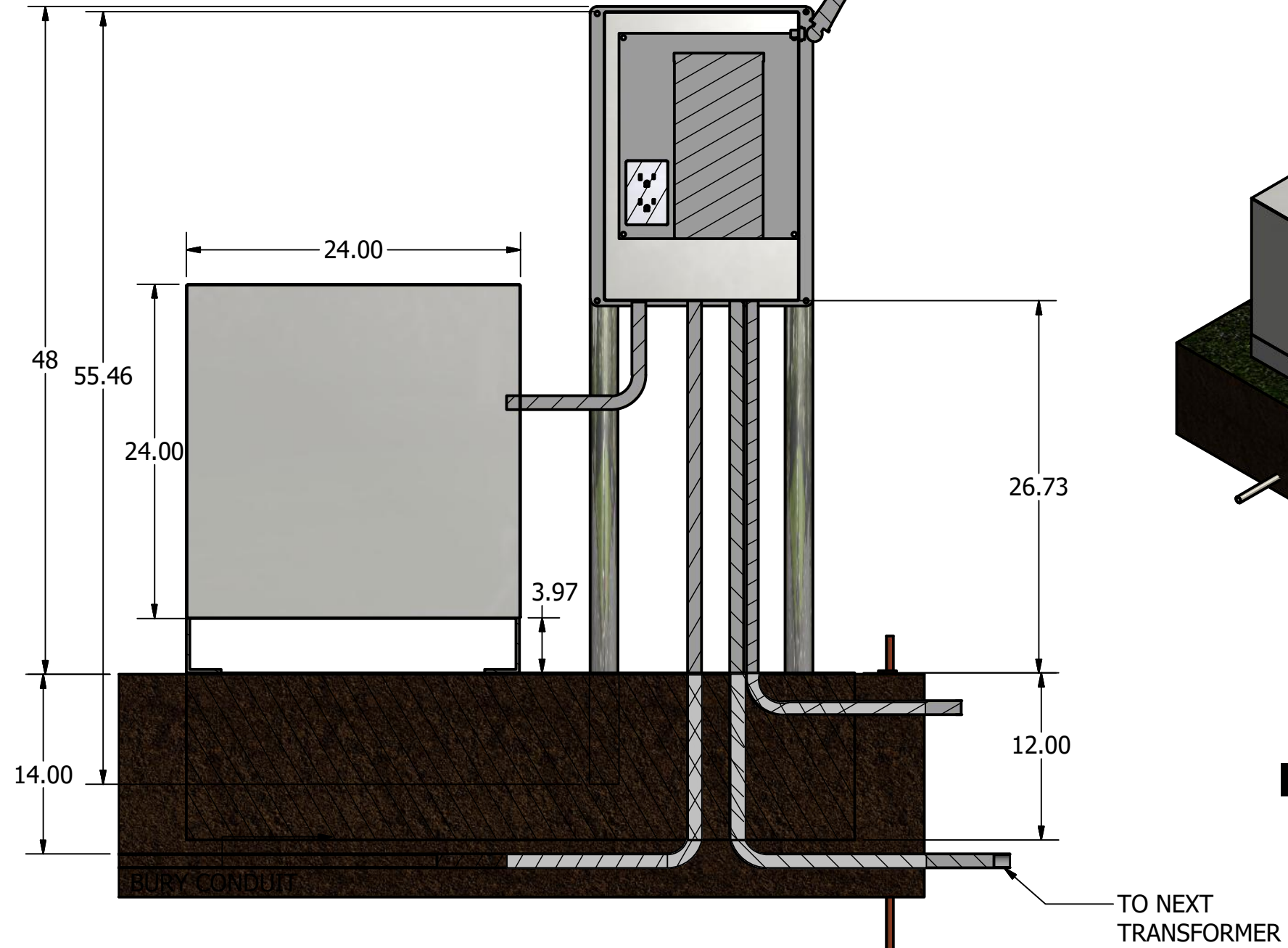
ISOMETRIC VIEW

CAST MODEL #CUPS5202 520 WATT 2.2 HOUR BATTERY OR
 CAST MODEL #CUPS10502 1050 WATT 2.2 HOUR BATTERY



POWER WIRE

EXPLODED VIEW



PARTS LIST

ITEM	QTY	PART NUMBER	DESCRIPTION
1	1	MOUNTING HOFFMAN BOX	20" [51 CM] W x 16" [41 CM] H x 8" [20 CM] D
2	1	HOFFMAN BOX DOOR	DOOR FOR A20H16BLP VENT KIT #T4S3R OR SEE ABOVE # FOR FAN KIT
3	1	BACKPLATE BOX	SUPPORT BACKPLATE A20H16BLP
4	1	CPT600	SINGLE-TAP TRANSFORMER 24V (OR 26V)
5	1	CONCRETE	48" L x 20" W x 12" DEEP
6	1	PANEL HOFFMAN BOX	17" [43 CM] W x 13" [33 CM] H
7	1	CTPC	CAST Plug-In Photo Cell
8	1	GFI receptacle	220 V / or 230 V
9	1	GROUND WIRE #8GA	1" FOR GROUND WIRE TO #8, # 1
10	1	GROUNDING ROD	5' [152 CM] FOOT GROUNDING ROD
11	3	1" SCH 40 CONDUIT	POWER SUPPLY FEED
12	2	POST	2.5" O.D [8 CM] GALVANIZED STEEL PIPE FENCE POST WITH RAIN CAP
18	1	CUPS5202	CAST MODEL #CUPS5202 520 WATT 2.2 HOUR BATTERY BACKUP 220/230V
19	1	1" SCH 40 CONDUIT	POWER SUPPLY FEED IN/OUT TO UPS

REVISION HISTORY			
REV	DESCRIPTION	DATE	APPROVED
1	INSTALLATION WITH BATTERY BACKUP DETAIL 220/230 VOLT	5/21/2015	
2	ADDED NEW PERIMETER LOGO TO TITLE BOX	2/05/2016	

CAST PERIMETER
 LED SECURITY LIGHTING SOLUTIONS
 1120-A Goffle Road Hawthorne, NJ 07506 cast-lighting.com 973.423.2303

DRAWN JESUS ALFARO	9/12/2014	TITLE REMOTE PERIMETER TRANSFORMER INSTALLATION WITH BATTERY BACKUP DETAIL 220/230 VOLT
CHECKED DB	2/1/2018	
SIZE C	DWG NO HOFFMAN TRANSFORMER	REV 1
SCALE	SHEET 1 OF 1	

THIS CORRESPONDENCE AND ALL ATTACHMENTS, CONTAINS INFORMATION PROPRIETARY TO CAST LIGHTING, LLC. IT IS SUBMITTED IN CONFIDENCE AND IS TO BE USED SOLELY FOR THE PURPOSE FOR WHICH IT IS FURNISHED AND RETURNED UPON REQUEST. THIS INFORMATION IS NOT TO BE REPRODUCED, TRANSMITTED, DISCLOSED, OR USED OTHERWISE IN WHOLE OR IN PART WITHOUT WRITTEN AUTHORIZATION OF CAST LIGHTING, LLC.