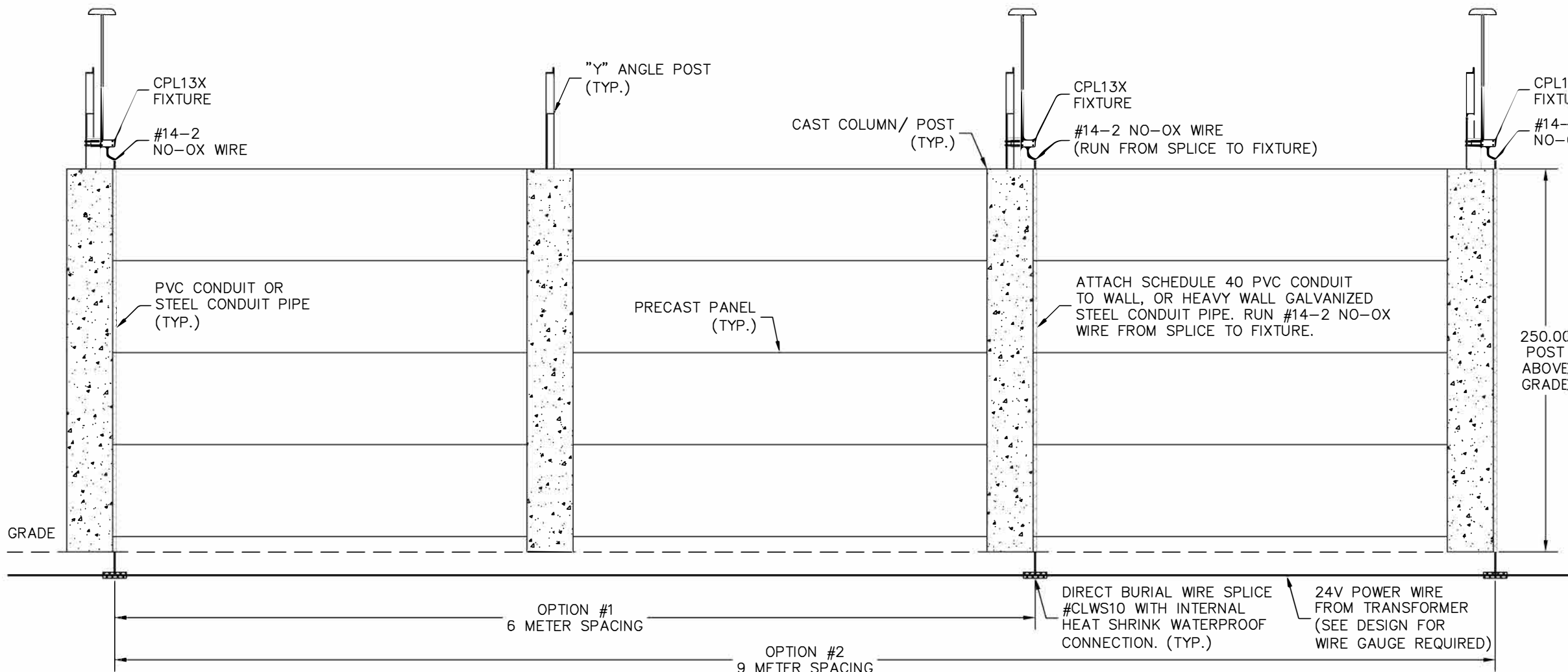
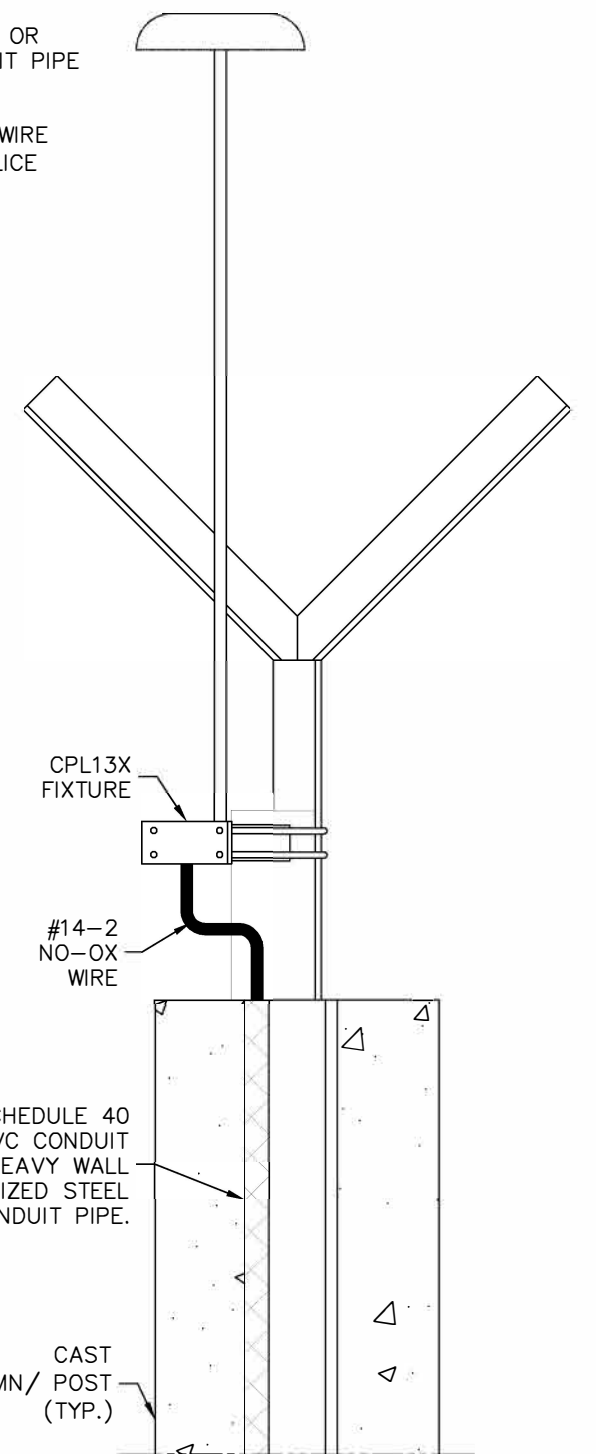


PLAN VIEW
(SCALE: ALL UNITS IN CM)



SIDE ELEVATION
(SCALE: ALL UNITS IN CM)



END VIEW 4X
(SCALE: ALL UNITS IN CM)

CAST PERIMETER
LED SECURITY LIGHTING SOLUTIONS
1120-A Goffle Road Hawthorne, NJ 07506 cast-lighting.com 973.423.2303

DRAWN GILBERT	TITLE 02/010/2016 TYPICAL FIELD WIRING
CHECKED -	DATE -/-/2016
PROJECT JAMANGAR, INDIA RELIANCE	
SIZE -	DRAWING CAST INDIA 02.dwg
SCALE NONE	REV. A
SHEET 1 OF 1	

THIS DOCUMENT AND ALL ATTACHMENTS CONTAIN INFORMATION PROPRIETARY TO CAST LIGHTING, LLC. IT IS SUBMITTED IN CONFIDENCE AND IS NOT TO BE REPRODUCED, COPIED, OR TRANSMITTED IN ANY FORM OR BY ANY MEANS, ELECTRONIC OR MECHANICAL, INCLUDING PHOTOCOPYING, RECORDING, OR BY ANY INFORMATION STORAGE AND RETRIEVAL SYSTEM, WITHOUT THE WRITTEN PERMISSION OF CAST LIGHTING, LLC. THIS DOCUMENT IS THE PROPERTY OF CAST LIGHTING, LLC. IT IS TO BE USED ONLY FOR THE PROJECT AND SITE SPECIFICALLY IDENTIFIED HEREIN. IT IS NOT TO BE REPRODUCED, COPIED, OR TRANSMITTED IN ANY FORM OR BY ANY MEANS, ELECTRONIC OR MECHANICAL, INCLUDING PHOTOCOPYING, RECORDING, OR BY ANY INFORMATION STORAGE AND RETRIEVAL SYSTEM, WITHOUT THE WRITTEN PERMISSION OF CAST LIGHTING, LLC.