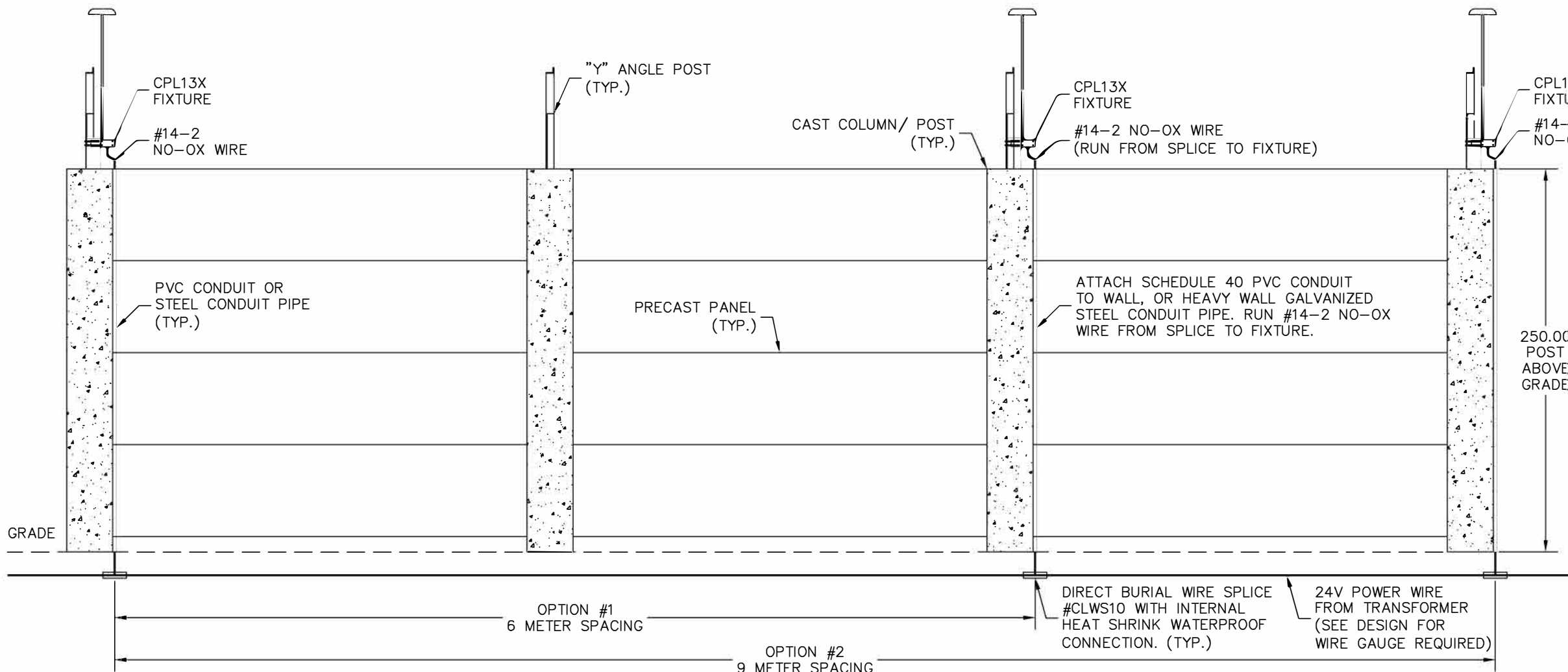
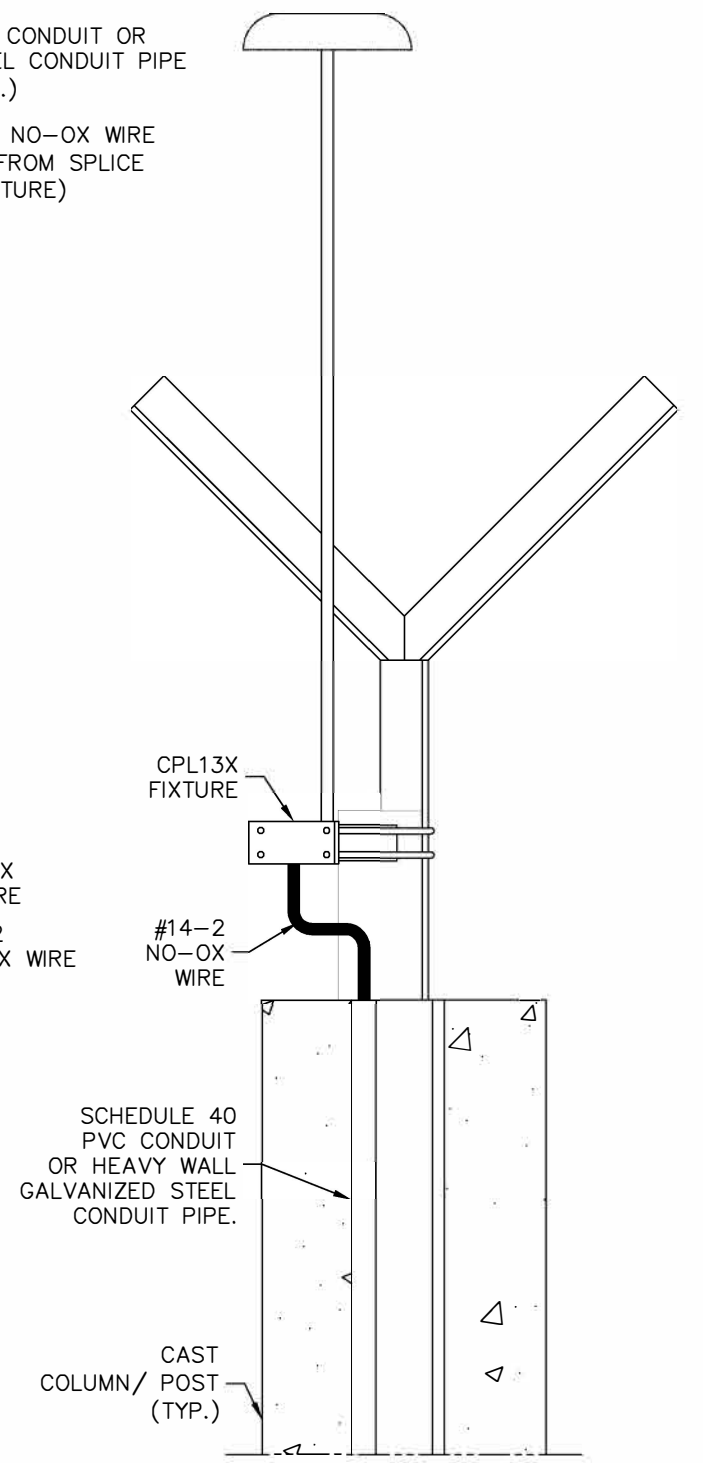


PLAN VIEW  
(SCALE: ALL UNITS IN CM )



SIDE ELEVATION  
(SCALE: ALL UNITS IN CM )



END VIEW 4X  
(SCALE: ALL UNITS IN CM )

**CAST PERIMETER**  
LED SECURITY LIGHTING SOLUTIONS  
1120-A Goffle Road Hawthorne, NJ 07506 cast-lighting.com 973.423.2303

DRAWN GILBERT	TITLE 02/010/2016 TYPICAL FIELD WIRING
CHECKED -	DATE -/-/2016
PROJECT JAMANGAR, INDIA RELIANCE	
SIZE -	DRAWING CAST INDIA 02.dwg
SCALE NONE	SHEET 1 OF 1