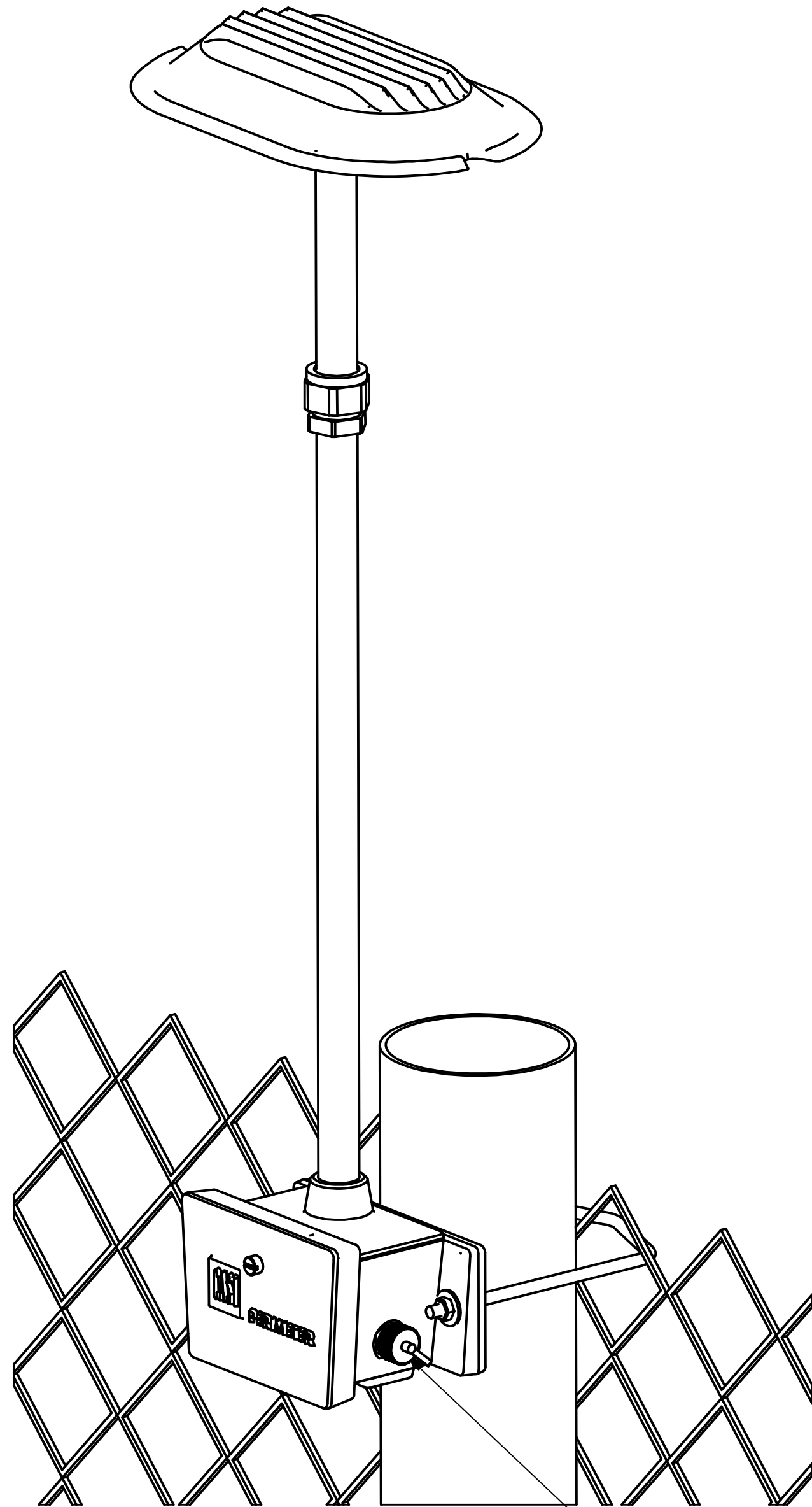


**CAST LED HI-POWER 850 Nm INFRARED Field Tunable Perimeter Security Light MODEL# CPL3IR2D.
Installation Instructions:**

For Best Performance Operate between 17V-30V DC Power



**DANGER:
EXPOSURE TO INFRARED CAN CAUSE PERMANENT EYE INJURY.
USE PROPER EYE PROTECTION WHEN SETTING UP THIS FIXTURE.**

**NOTE:
MODEL #CPL3IR2D IS A DOUBLE LED ARRAY
FIELD TUNABLE IR FIXTURE. 850Nm**

Dimmer Control Setting, Watts Consumed, IR Radiant Flux Produced Tested @24V DC

| Circuit # 1 | % Power | Circuit #2 | % Power | Fixture Wattage | Radiant Flux (Mw) | Notes: |
|-------------|---------|-------------|---------|-----------------|-------------------|--------|
| Circuit #1@ | 100% | Circuit #2@ | 100% | 52.3Watts | 7817 | (A) |
| Circuit #1@ | 100% | Circuit #2@ | 100% | 46.0Watts | 6798 | (B) |
| Circuit #1@ | 100% | Circuit #2@ | 90% | 40.0 Watts | 5473 | |
| Circuit #1@ | 90% | Circuit #2@ | 90% | 32.0 Watts | 4884 | |
| Circuit #1@ | 90% | Circuit #2@ | 80% | 29.0 Watts | 4126 | |
| Circuit #1@ | 80% | Circuit #2@ | 80% | 25.0 Watts | 3954 | |
| Circuit #1@ | 70% | Circuit #2@ | 70% | 20.0 Watts | 3214 | |
| Circuit #1@ | 60% | Circuit #2@ | 60% | 15.0 Watts | 2345 | |
| Circuit #1@ | 50% | Circuit #2@ | 50% | 10.0 Watts | 1562 | |
| Circuit #1@ | 40% | Circuit #2@ | 40% | 8.0 Watts | 1202 | |
| Circuit #1@ | 20% | Circuit #2@ | 20% | 6.0 Watts | 860 | |

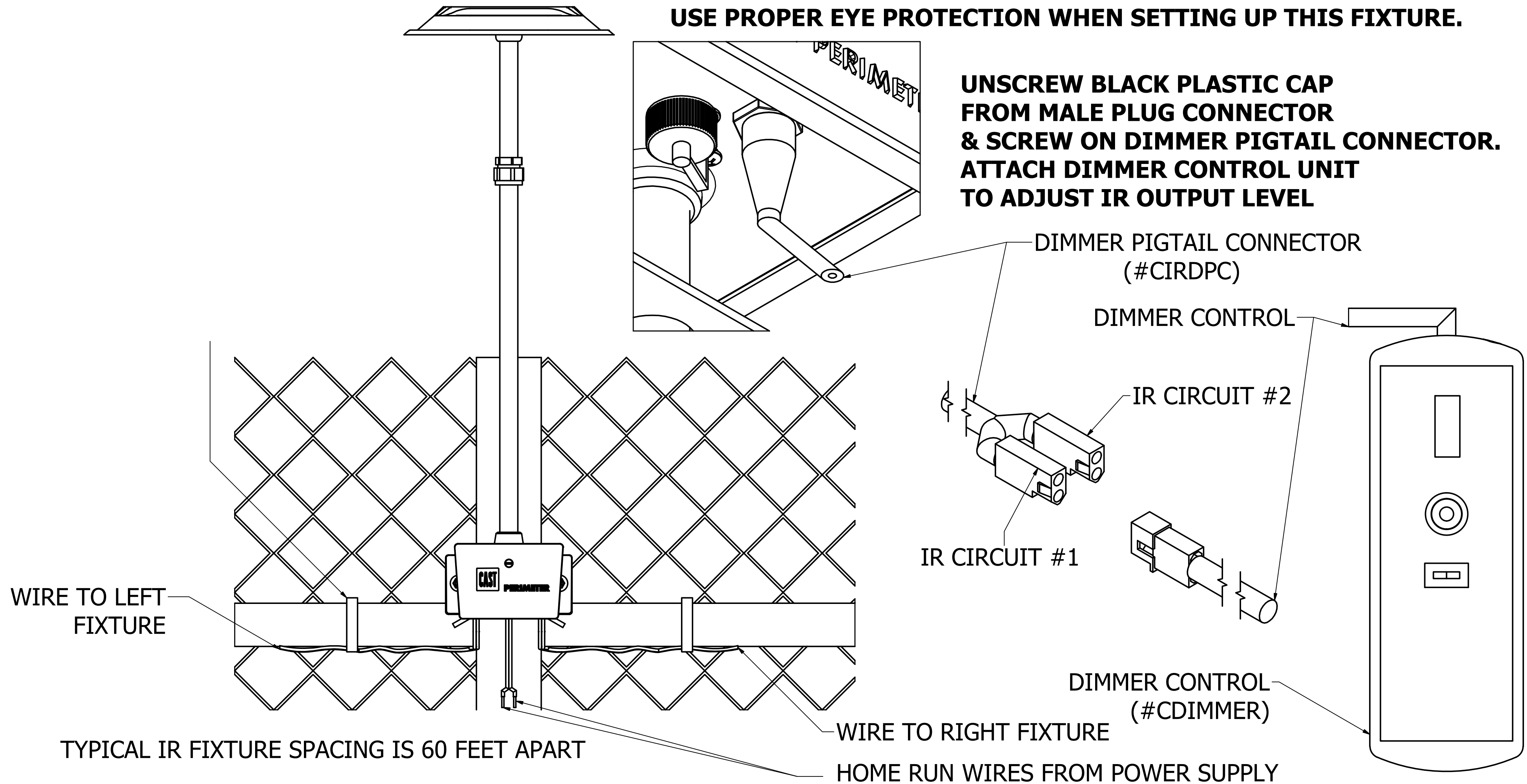
(A) Hold Dimmer Button Down for 5 Seconds when at 100% Reading

(B) As Dimmer Just Blinks in to 100% Reading Immediately let off Dimmer Button (each illuminated scale of dimmer is actually three positions)

**ATTACH FIXTURE TO FENCE POST
USING THE HARDWARE (PROVIDED)
1/2" WRENCH (NOT INCLUDED)**

DIMMER CONTROL PLUG CAP | PIN CONNECTOR

DANGER:
EXPOSURE TO INFRARED CAN CAUSE PERMANENT EYE INJURY.
USE PROPER EYE PROTECTION WHEN SETTING UP THIS FIXTURE.



UNSCREW BLACK PLASTIC CAP FROM MALE PLUG CONNECTOR & SCREW ON DIMMER PIGTAIL CONNECTOR. ATTACH DIMMER CONTROL UNIT TO ADJUST IR OUTPUT LEVEL

SETTING UP INFRARED OUTPUT LEVEL:

- 1. INSTALL ALL IR FIXTURES AS REQUIRED ON FENCE LINE OR AS NEEDED ON SITE.**
- 2. IN DARKNESS STARTING WITH FIXTURE CLOSEST TO CAMERA ATTACH IR DIMMER PIGTAIL AND DIMMER CONTROL.**
- 3. HAVING CLOSED CIRCUIT NIGHT VISION IR CAMERA SYSTEM OPERATING USING BLUETOOTH EAR PIECE IN FIELD AND CELL PHONE STARTING AT THE LOWEST LEVEL COMMUNICATE WITH PERSON VIEWING IMAGE ON MONITOR TO INSTRUCT THE INCREASE OR DECREASE OF THE IR LEVEL TO THE DESIRED SETTING FOR OPTIMAL SCREEN IMAGE.**
- 4. ONCE BUTTON IS RELEASED IR LEVEL WILL REMAIN FIXED FOR THE LIFE OF THE SYSTEM.**
- 5. REPLACE CAP ON PIN CONNECTOR WHEN FINISHED.**