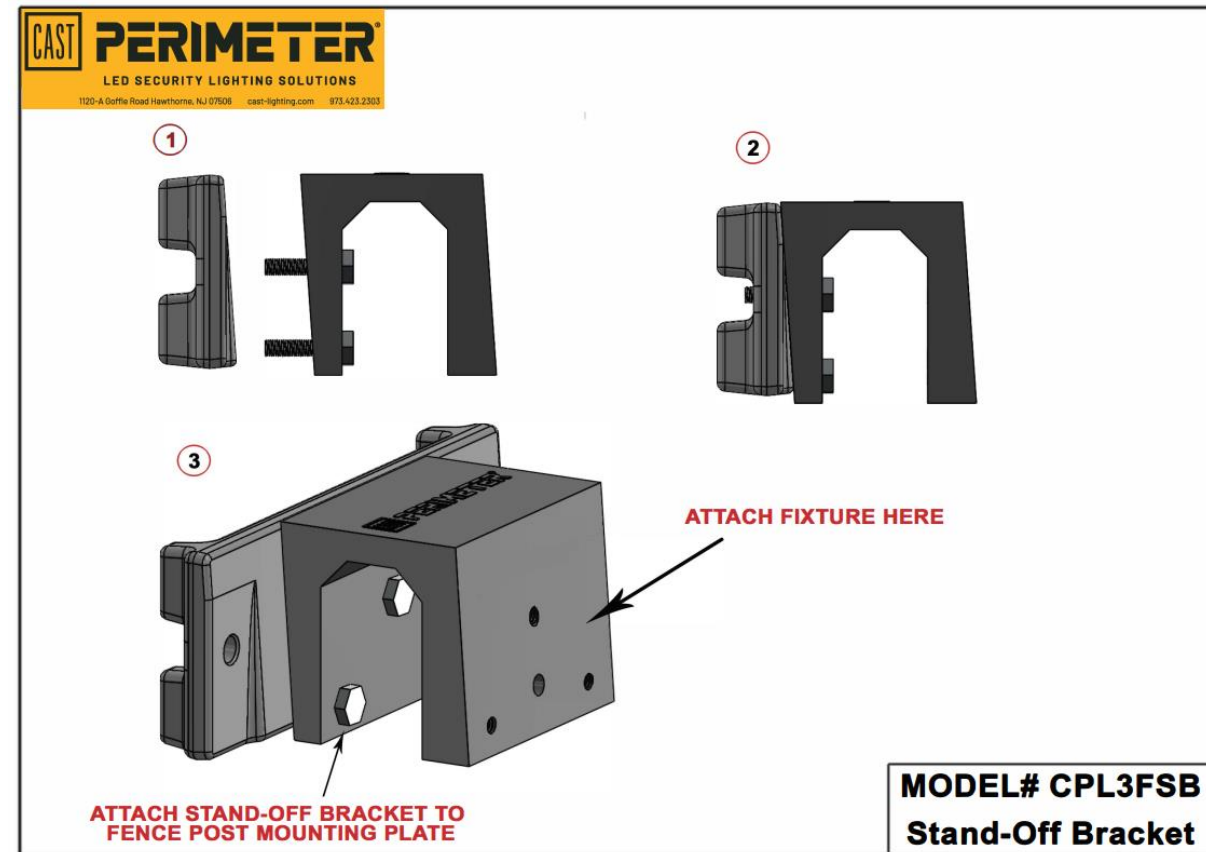


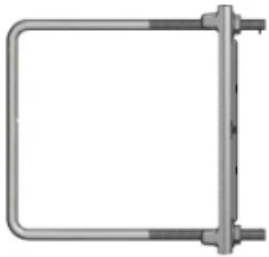
## INSTRUCTIONS:

Attaching CPL2 & Gen 3 Series Perimeter Security Light to any Fence Post Mounting Bracket Using a **Model # CPL3FSB** Stand-Off Bracket.



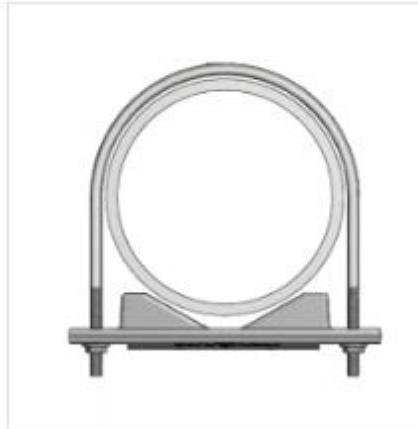
# Step #1

## Attach Fixture Mounting Bracket to upright fence post:



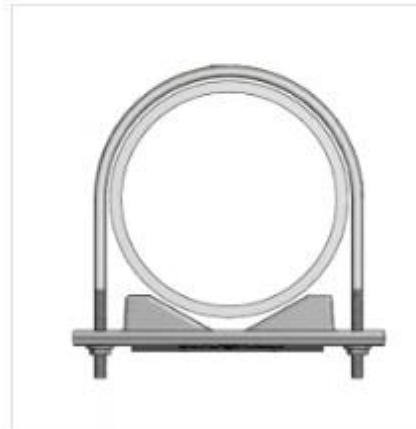
**SQUARE CUSTOM BRACKET**

Model # CPL3CMB6X6S  
 For Beta 5000 Fence



**ROUND CUSTOM BRACKET**

Model # CPL3CMB6R  
 For Large 6" OD Fence Posts



**ROUND CUSTOM BRACKET**

Model # CPL3CMB4R  
 Standard come with CPL2  
 & All Gen 3 Fixtures Fits  
 1.25 to 4.5OD Round  
 Fence Posts



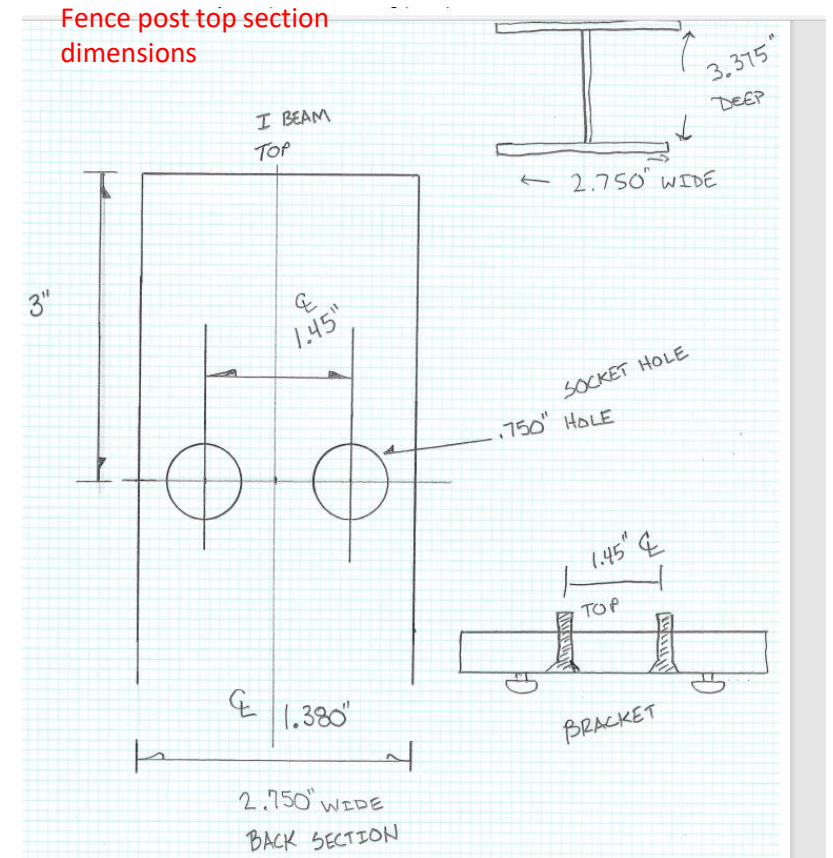
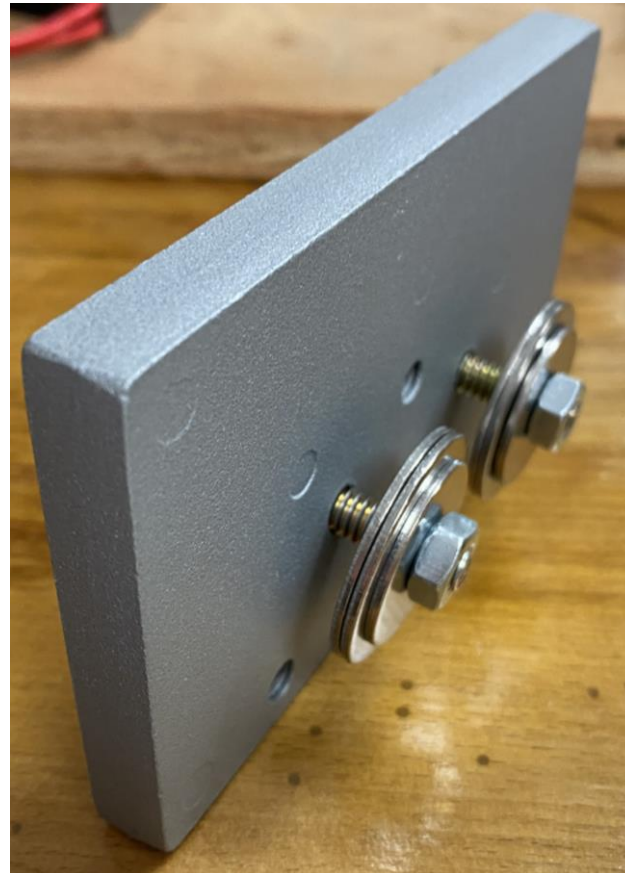
**CUSTOM MOUNT FOR ASSA ABLOY IMPASSE II FENCE**

Model # CPL3CMBFP For  
 Assa –Abloy Impasse II  
 Fence Posts

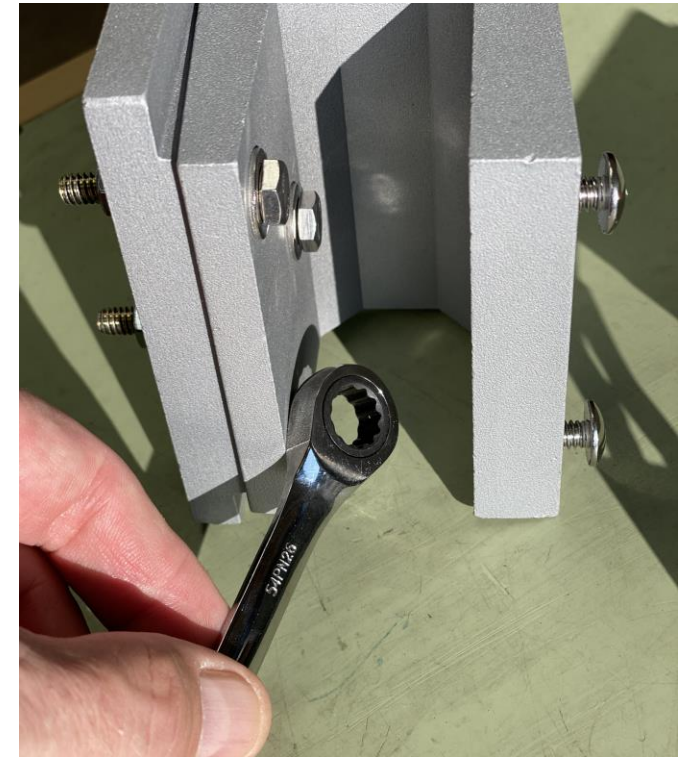
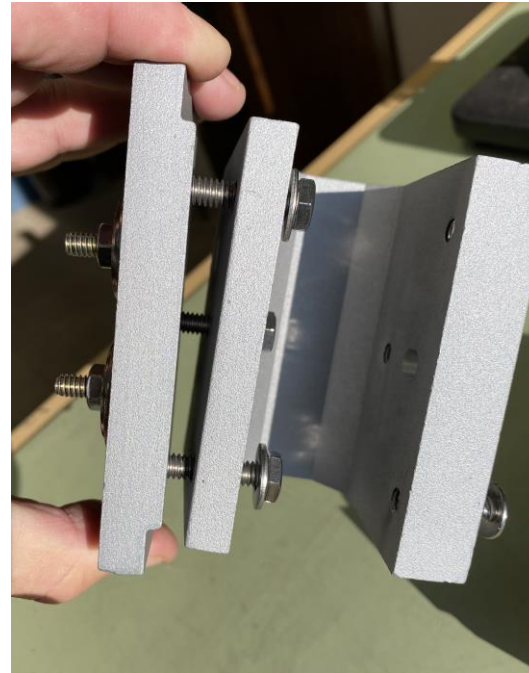
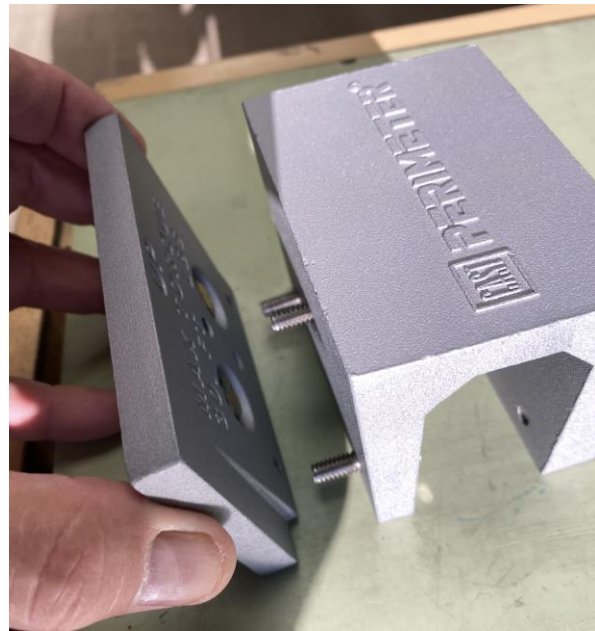
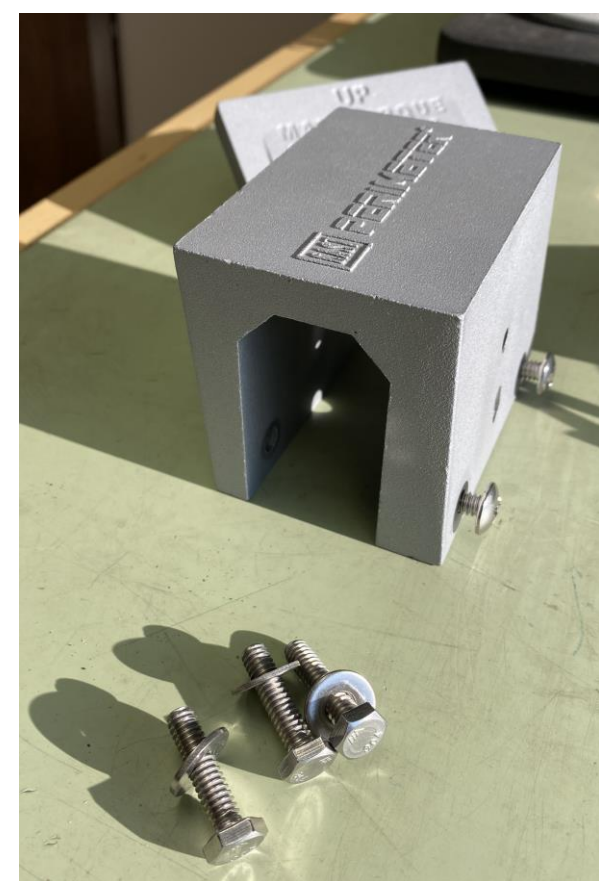
Note: See Web Site under *Resources-Engineering Library- Bracket Mounts* for dimensional drawings for each mounting bracket

# Example PN# CPL3CMBFP Assa Abloy Mounting Bracket for Impasse-II Fence

Insert ¼-20 Bolt , washers and nut and attach to the Assa Abloy Fence post in the holes provided in upright fence post



Step #2 Using Hardware Provided Attach CPL3FSB Stand-off bracket to the face of the fence post mounting bracket, tighten down fully. Requires 7/16 box wrench.



## Step #3 Attach fixture to front of Stand-Off Bracket same as you would to the mounting bracket.

Place fixture on “mouse hole mounts” two base screws, insert center screw, make level, tighten down three screws. Replace base bracket tighten screw, wire fixture, set cover. End

