

**CAST LED 3 Gen. Perimeter Light (CPL38, CPL312, CPL316, CPL325):
 Installation Instructions. One Man Mounting.**

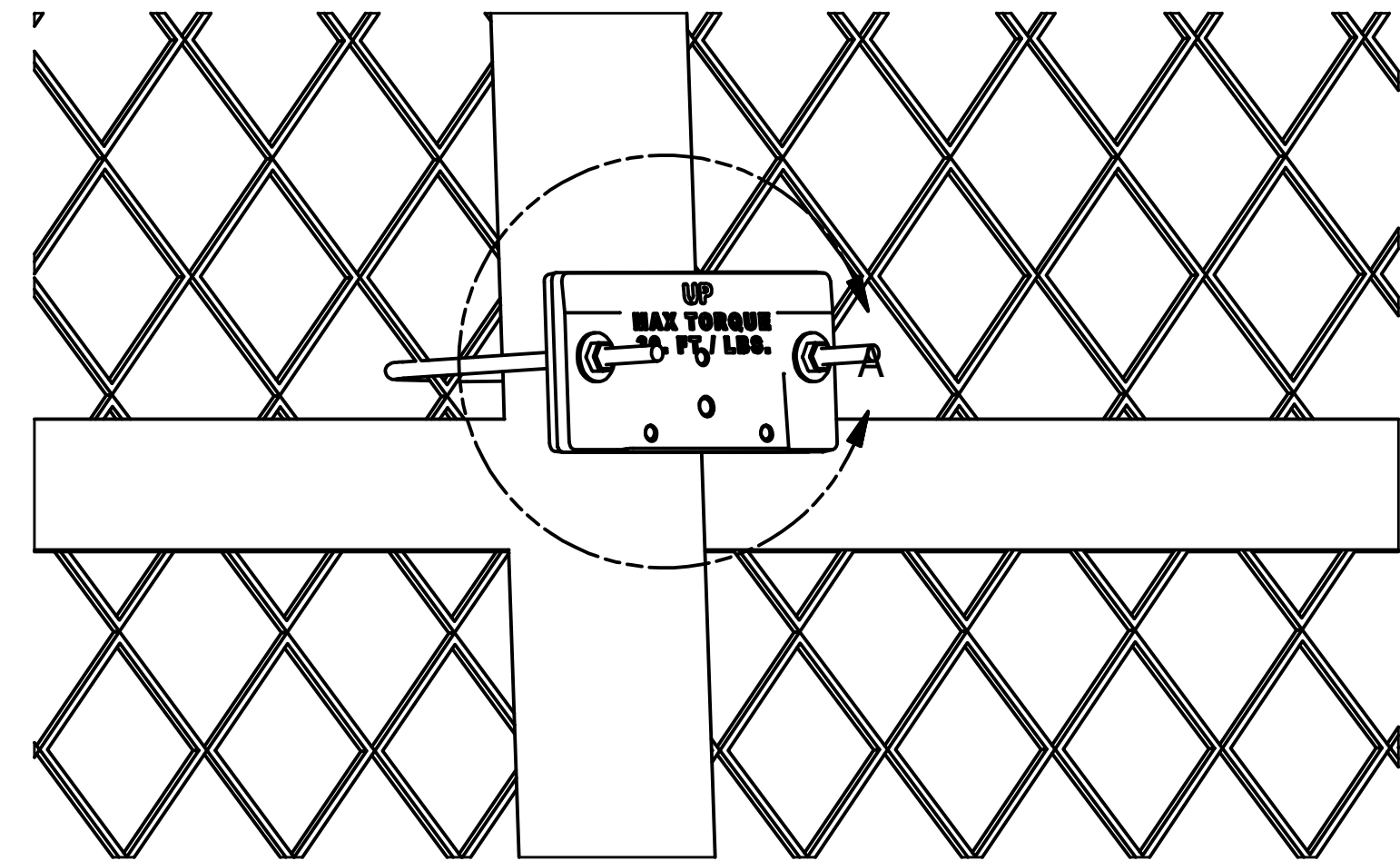


FIG. A

**STEP #1.
 MOUNT U-BRACKET & BACK PLATE TO AN UPRIGHT FENCE POST.**

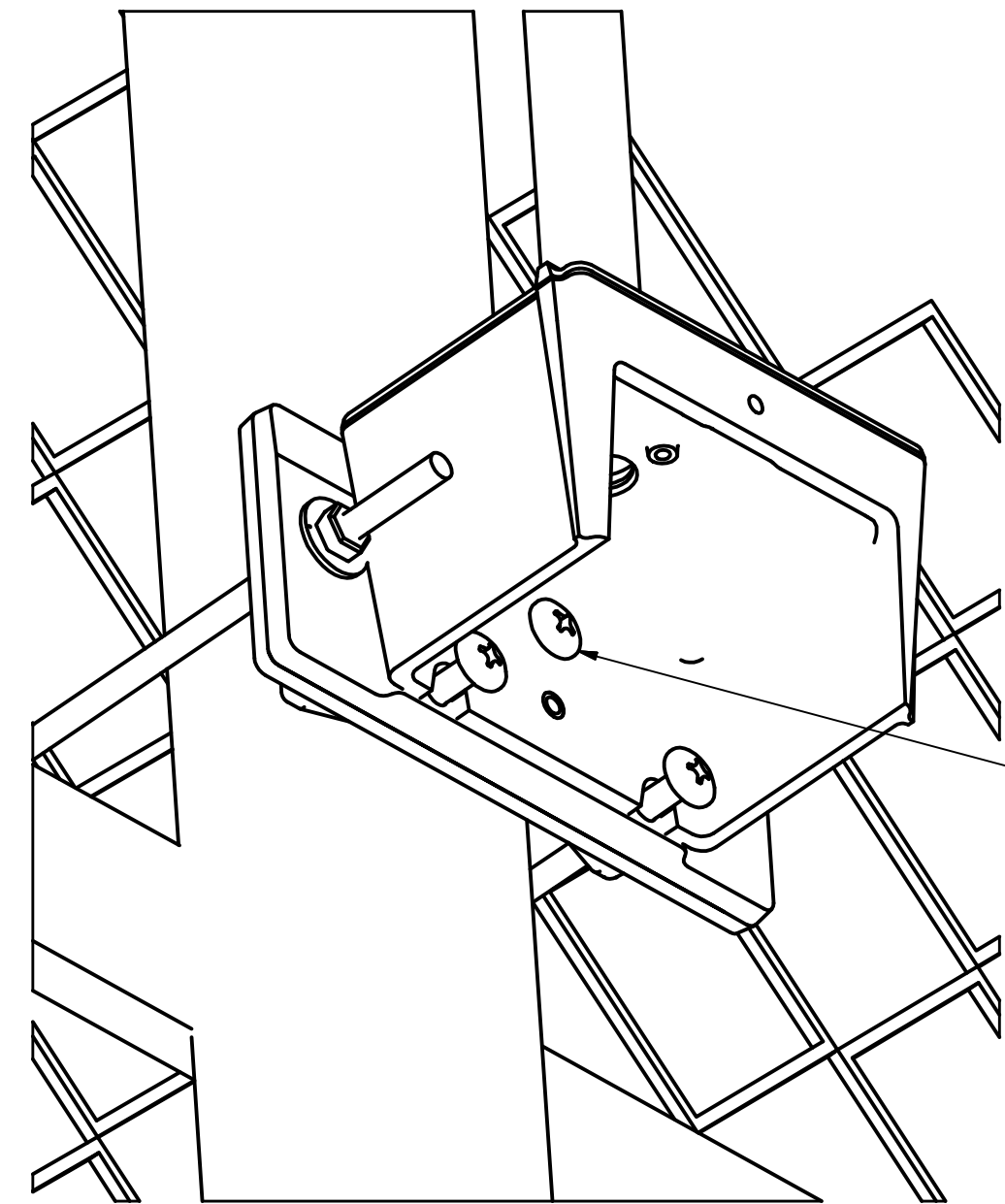
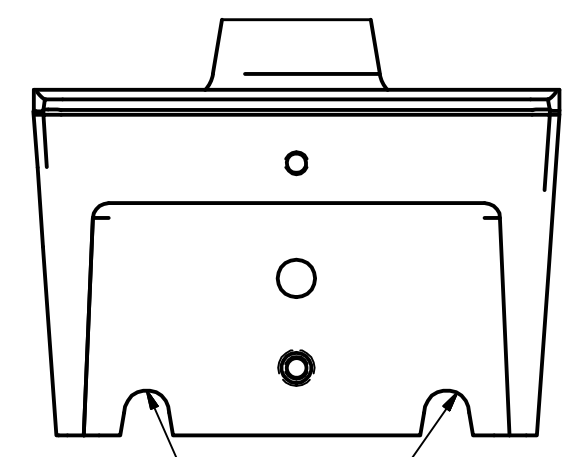


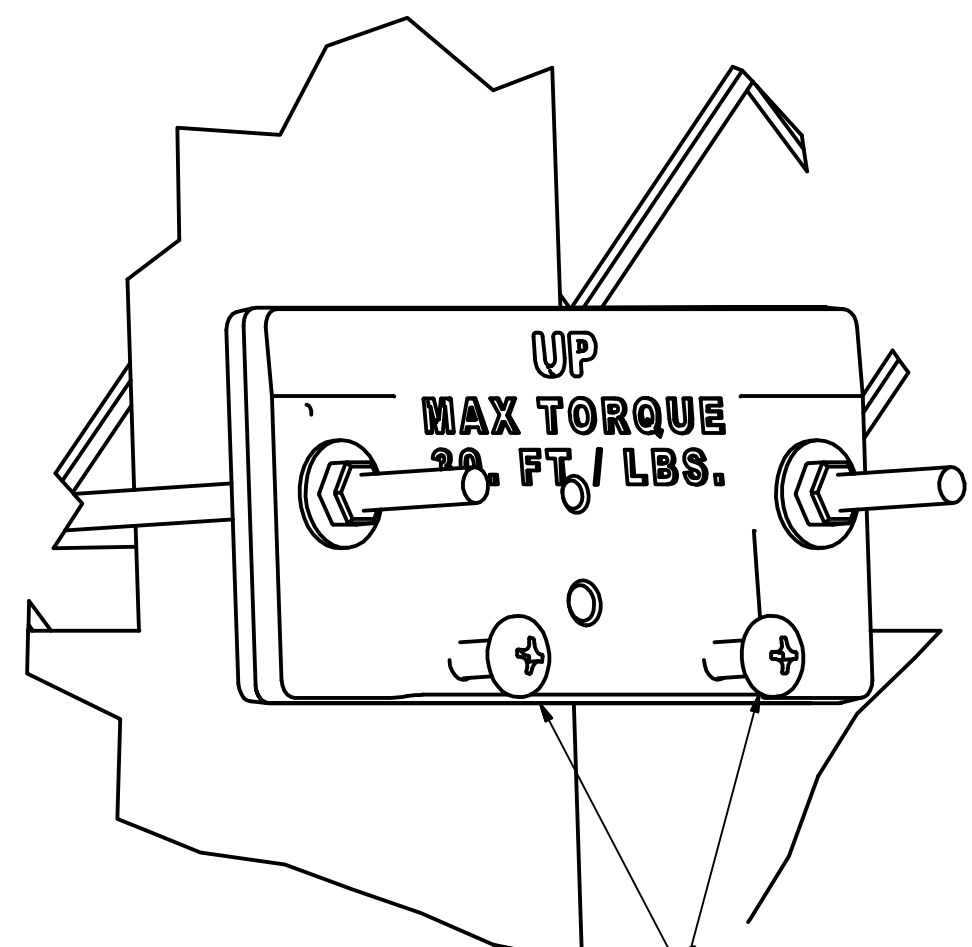
FIG. B



**MOUSE HOLES
 ON FIXTURE**

TOP SCREW

**STEP #3.
 INSTALL TOP SCREW SNUG DOWN,
 LEVEL THEN TIGHTEN.**



DETAIL A

**STEP #2.
 INSTALL TWO (2) SCREWS
 INTO BACK OF BRACKET &
 PLACE FIXTURE MOUSE HOLES OVER SCREWS.**

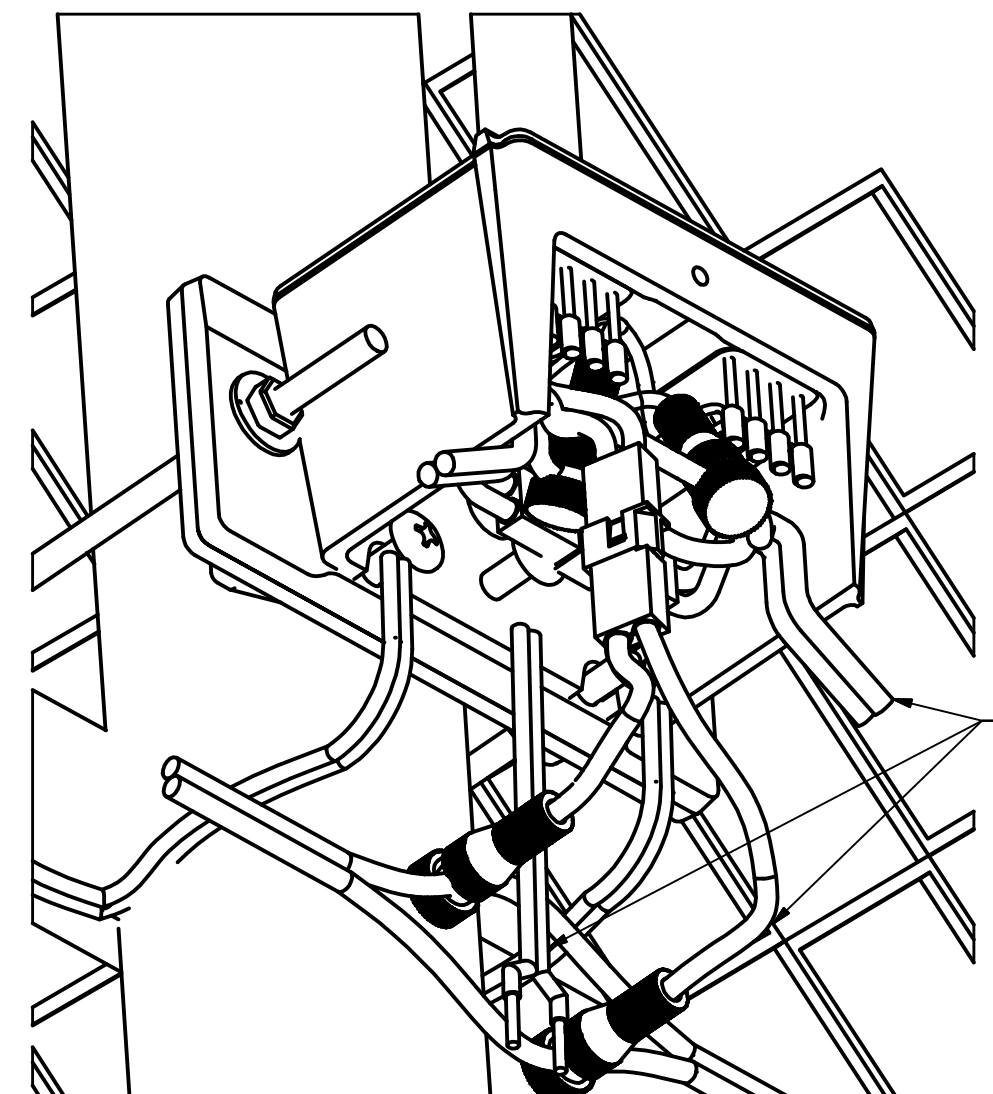


FIG. C

**STEP #4.
 MAKE WIRE CONNECTIONS.**

**NOTE:
 SPLICE SHOWN OUTSIDE
 THEN PLACED INSIDE JUNCTION BOX**