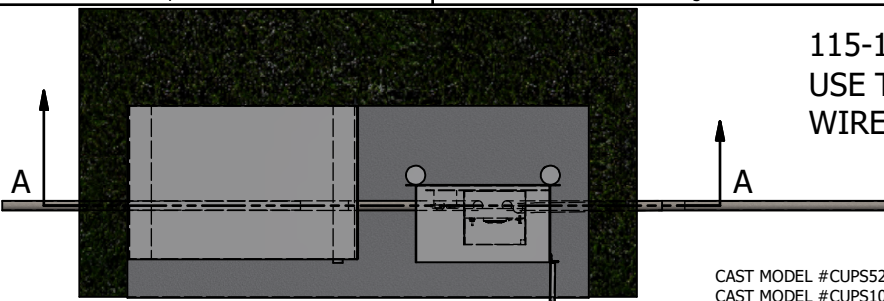


115-120V, 208V, 220V, 230V, 240V, 277V; 50/60 HZ POWER
 USE THHN WIRE. OR USE DIRECT BURIAL
 WIRE INSTALLED WITH VIBRATORY PLOUGH OR OPEN TRENCH IN CONDUIT



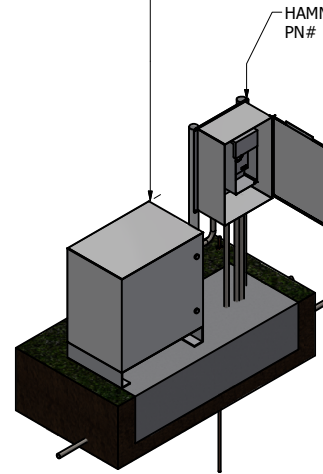
TOP VIEW

SECTION A-A
 SCALE 0,1 : 1

ISOMETRIC VIEW

CAST MODEL #CUPS5202 520 WATT 2.2 HOUR BATTERY OR
 CAST MODEL #CUPS10502 1050 WATT 2.2 HOUR BATTERY

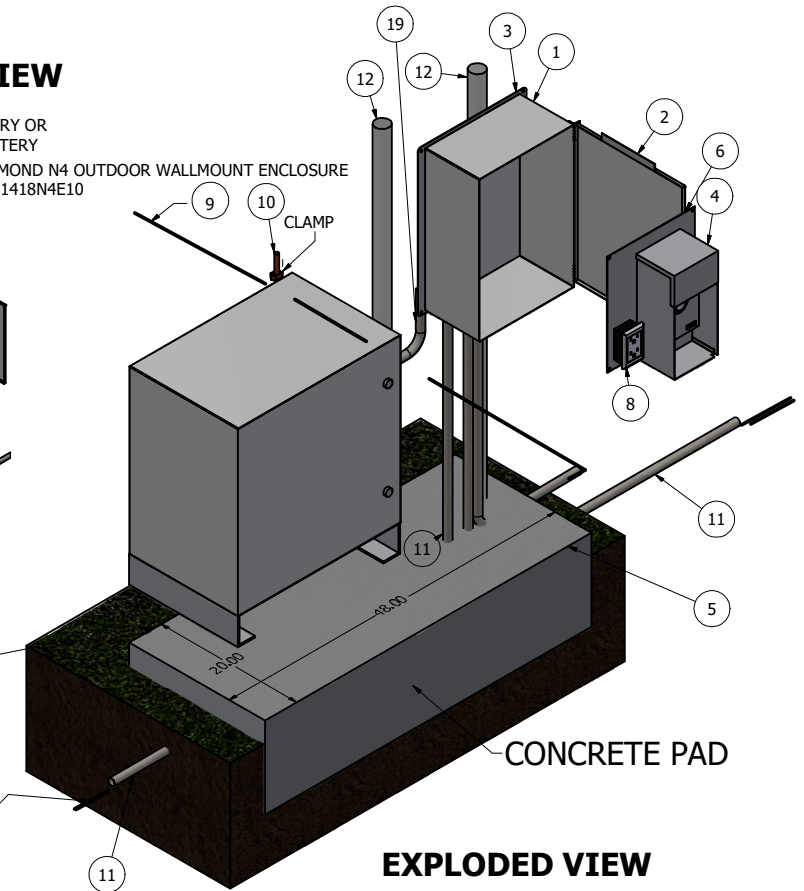
HAMMOND N4 OUTDOOR WALLMOUNT ENCLOSURE
 PN# 1418N4E10



GRADE

POWER WIRE

TO NEXT
 TRANSFORMER



EXPLODED VIEW

CONCRETE PAD

PARTS LIST

ITEM	QTY	PART NUMBER	DESCRIPTION
1	1	HAMMOND WALLMOUNT ENCLOSURE	24" [61 CM] W x 20" [51 CM] H x 10" [20 CM] D MODEL #1418N4E10
2	1	HAMMOND VENT KIT W/ FILTER PLUG	HAMMOND VENT KIT PN#1481L3R66GY, INSTALL RIGHT SIDE. INSTALL 2 PCS HEYCO PN#4959 HEY CLEAN FILTER PLUG INSERTED IN BOTTOM OF CABINET
3	1	BACKPLATE BOX	SUPPORT BACKPLATE, USE STRUT OR OTHER METAL FRAME SYSTEM
4	1	DC POWER SUPPLY CPT SERIES MODEL 600/1200 DCA OR DCAI	SPECIFY 26V OR 30V SECONDARY OUTPUT 12.76" [32.4 CM] W X 17.56" [44.6 CM] H X 7.25" [18.4 CM] D
5	1	CONCRETE	48" L x 20" W x 12" DEEP
8	1	POWER RECEPTACLE	115-120V, 208V, 220V, 230V, 240V, 277V
9	1	GROUND WIRE #8GA	1" FOR GROUND WIRE TO #8, # 1
10	1	GROUNDING ROD	5' [152 CM] FOOT GROUNDING ROD
11	3	1" SCH 40 CONDUIT	POWER SUPPLY FEED
12	2	POST	2.5" O.D [8 CM] GALVANIZED STEEL PIPE FENCE POST WITH RAIN CAP
18	1	CUPS5202	CAST MODEL #CUPS5202 520 WATT 2.2 HOUR BATTERY BACKUP 220/230V
19	1	1" SCH 40 CONDUIT	POWER SUPPLY FEED IN/OUT TO UPS

NOTE: DO NOT EXCEED 85% OF POWER SUPPLY RATING

CAST PERIMETER™
 LED SECURITY LIGHTING SOLUTIONS
 1120-A Goffle Road Hawthorne, NJ 07506 cast-lighting.com 973.423.2303

DRAWN MATTHEW B	3/16/2022	TITLE UNINTERRUPTIBLE POWER SUPPLY; UPS FIELD ASSEMBLY WITH DC PERIMETER LIGHTING POWER SUPPLY	REV 1
CHECKED DAVID B	3/16/2022	SIZE C INCHES	DWG NO UPS POWER SUPPLY
<small>THIS CORRESPONDENCE AND ALL ATTACHMENTS, CONTAINS INFORMATION PROPRIETARY TO CAST LIGHTING, LLC. IT IS SUBMITTED IN CONFIDENCE AND IS TO BE USED SOLELY FOR THE PURPOSE FOR WHICH IT IS FURNISHED AND RETURNED UPON REQUEST. THIS INFORMATION IS NOT TO BE REPRODUCED, TRANSMITTED, DISCLOSED, OR USED OTHERWISE IN WHOLE OR IN PART WITHOUT WRITTEN AUTHORIZATION OF CAST LIGHTING, LLC.</small>		SCALE	SHEET 1 OF 1