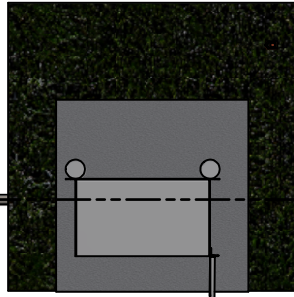


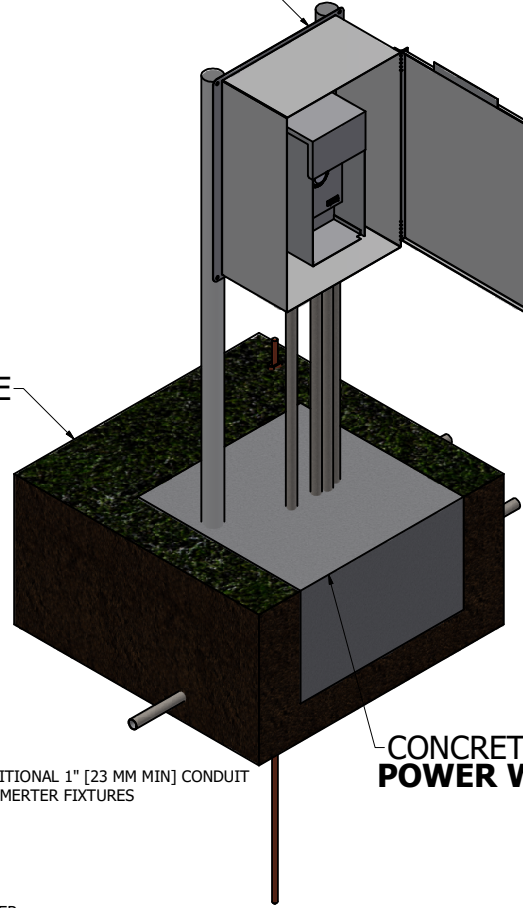
TOP VIEW



HAMMOND N4 OUTDOOR WALLMOUNT ENCLOSURE
PN# 1418N4E10

115-120V, 208V, 220V, 230V, 240V, 277V; 50/60 HZ POWER
USE THHN WIRE. OR USE DIRECT BURIAL
WIRE INSTALLED WITH VIBRATORY PLOUGH OR OPEN TRENCH IN CONDUIT

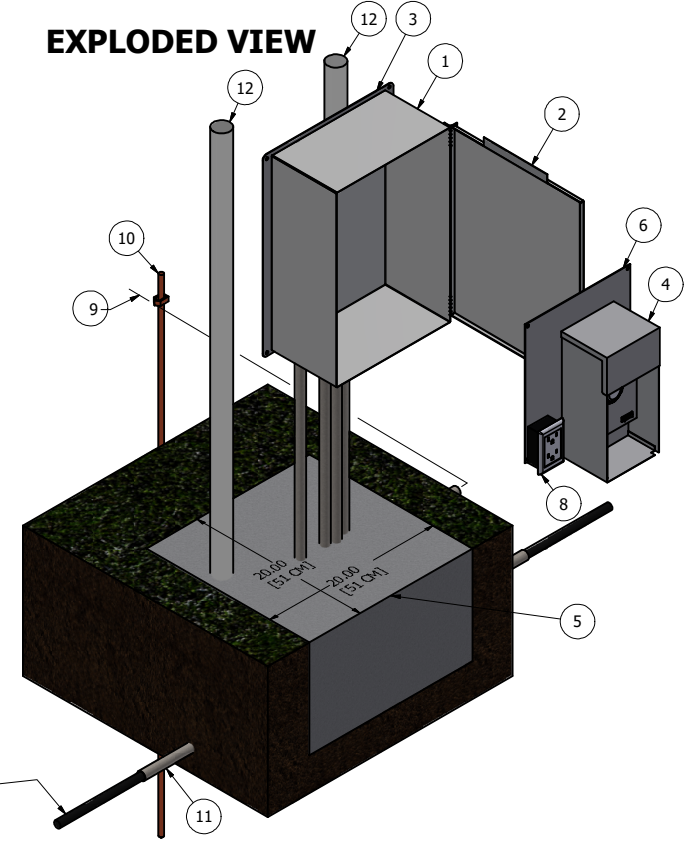
ISOMETRIC VIEW



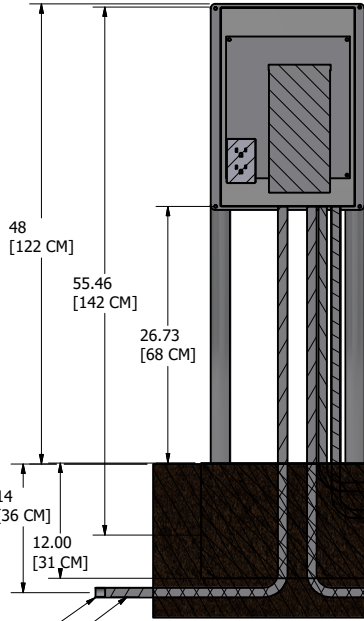
GRADE

CONCRETE PAD
POWER WIRE

EXPLODED VIEW



NOTE: DO NOT EXCEED 85% OF POWER SUPPLY RATING



SECTION A-A
SCALE .1

POWER SUPPLY FROM POWER SOURCE WIRE GAUGE
TO BE DETERMINED BY ON SITE ELECTRICAL ENGINEER.

| PARTS LIST | | | |
|------------|-----|---|--|
| ITEM | QTY | PART NUMBER | DESCRIPTION |
| 1 | 1 | HAMMOND WALLMOUNT ENCLOSURE | 24" [61 CM] W x 20" [51 CM] H x 10" [20 CM] D MODEL#: 1418N4E10 |
| 2 | 1 | HAMMOND VENT KIT W/ FILTER PLUG | HAMMOND VENT KIT PN#1481L3R66GY, INSTALL RIGHT SIDE. INSTALL 2 PCS HEYCO PN#4959 HEY CLEAN FILTER PLUG INSERTED IN BOTTOM OF CABINET |
| 3 | 1 | BACKPLATE BOX | SUPPORT BACKPLATE, USE STRUT OR OTHER METAL FRAME SYSTEM |
| 4 | 1 | DC POWER SUPPLY CPT SERIES MODEL 600/1200 DCA OR DCAI | SPECIFY 26V OR 30V SECONDARY OUTPUT 12.76" [32.4 CM] W X 17.56" [44.6 CM] H X 7.25" [18.4 CM] D |
| 5 | 1 | CONCRETE | 20" x 20" [51 CM X 51 CM] FOR SUPPORT |
| 8 | 1 | POWER RECEPTACLE | 115-120V, 208V,220V,230V,240V,277V |
| 9 | 1 | GROUND WIRE #8GA | 1" [23 MM] FOR GROUND WIRE TO #8 , # 1 |
| 10 | 1 | GROUNDING ROD | 5' [152 CM] FOOT GROUNDING ROD |
| 11 | 3 | 1" SCH 40 CONDUIT | POWER SUPPLY FEED |
| 12 | 2 | POST | 2.5" O.D [8 CM] GALVANIZED STEEL PIPE FENCE POST WITH RAIN CAP |

CAST PERIMETER™
LED SECURITY LIGHTING SOLUTIONS

1120-A Goffle Road Hawthorne, NJ 07506 cast-lighting.com 973.423.2303

| | | | |
|--|-----------|---|-----|
| DRAWN MATTHEW B | 3/16/2022 | TITLE | |
| CHECKED DAVID B | 3/16/2022 | SINGLE POWER SUPPLY INSTALLATION DETAIL WITH HAMMOND ENCLOSURE | |
| <small>THIS CORRESPONDENCE AND ALL ATTACHMENTS, CONTAINS INFORMATION PROPRIETARY TO CAST LIGHTING, LLC. IT IS SUBMITTED IN CONFIDENCE AND IS TO BE USED SOLELY FOR THE PURPOSE FOR WHICH IT IS FURNISHED AND RETURNED UPON REQUEST. THIS INFORMATION IS NOT TO BE REPRODUCED, TRANSMITTED, DISCLOSED, OR USED OTHERWISE IN WHOLE OR IN PART WITHOUT WRITTEN AUTHORIZATION OF CAST LIGHTING, LLC.</small> | | | |
| SIZE C | INCHES | DWG NO POWER SUPPLY INSTALL | REV |
| SCALE | | SHEET 1 OF 1 | |